

CLEVELAND DIVISION
OF WATER
CONSTRUCTION
STANDARDS

Tee Details

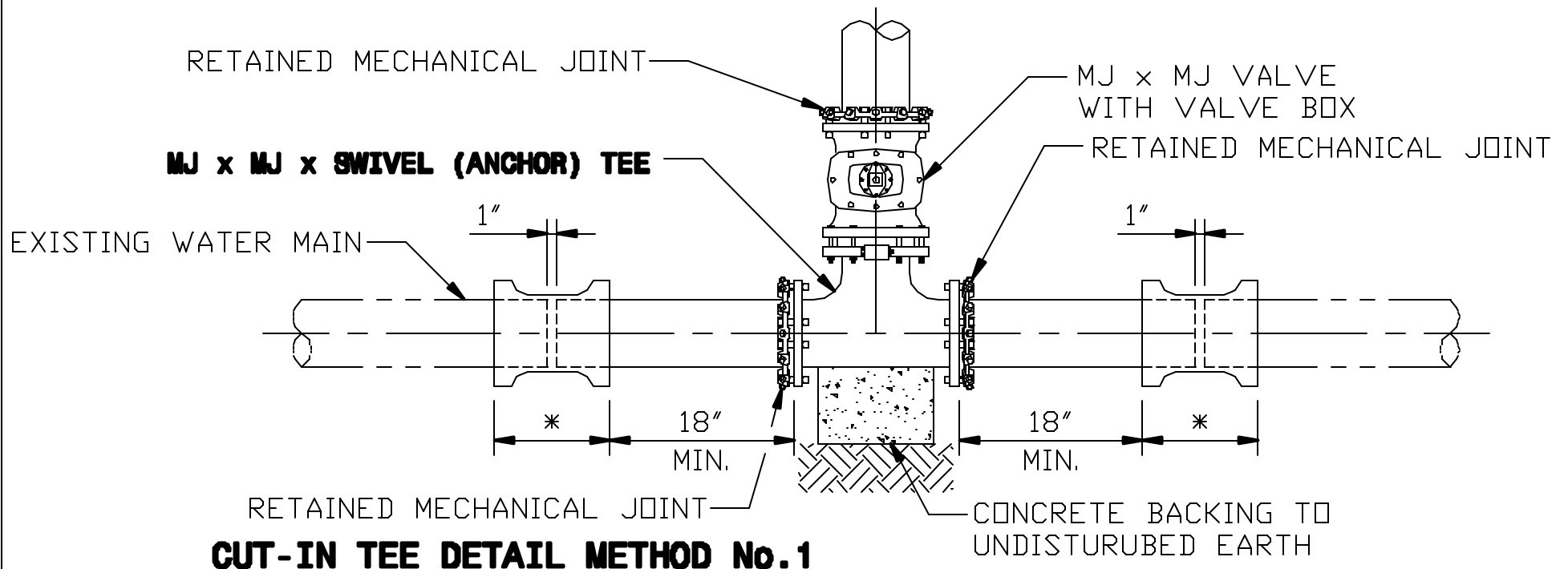
* CONNECTION SHALL BE MADE WITH RETAINED MECHANICAL JOINT SOLID SLEEVES (SHORT OR LONG PATTERN) DUCTILE IRON CLASS 350 OR CAST IRON CLASS 250 OR COMPRESSION COUPLINGS.

COMPRESSION COUPLINGS SHALL BE OF A GASKETED, SLEEVE TYPE WITH DIAMETERS TO PROPERLY FIT PLAIN END IRON PIPE. EACH COUPLING SHALL CONSIST OF ONE (1) MIDDLE RING, WITHOUT STOPS; TWO (2) FOLLOWER GLANDS; TWO (2) RUBBER-COMPOUND BUNA-N BLEND, WEDGE SECTION GASKETS; AND SUFFICIENT TRACKHEAD STAINLESS STEEL BOLTS AND NUTS (ASTM A276/A193/A194, TYPE 304, EXTRA HEAVY HEX) TO PROPERLY COMPRESS THE GASKETS.

MIDDLE RING AND FOLLOWER GLANDS SHALL BE OF EITHER STEEL OR DUCTILE IRON (ASTM-A536).

THE COMPRESSION COUPLING SHALL BE WITHOUT STOPS AND BE RATED FOR A MINIMUM WORKING PRESSURE OF 250 PSI AND SHALL BE EQUAL TO THE DRESSER STYLE No's 38, 138 OR 162 (TRANSITION TYPE), OR SMITH-BLAIR 441 STRAIGHT AND TRANSITION COUPLINGS.

ALL BOLTS AND NUTS ON ALL MECHANICAL JOINTS, INCLUDING THOSE ON THE "RETAINED" TYPE, SHALL HAVE FIELD APPLIED ONE (1) COAT OF BITUMASTIC PAINTING FOLLOWED BY AN ENCASEMENT OF POLYETHYLENE WRAPPING IN ACCORDANCE WITH ANSI/AWWA C-105/A21.5-88, CLASS "C", METHOD "B".



* CONNECTION SHALL BE MADE WITH RETAINED MECHANICAL JOINT SOLID SLEEVES (SHORT OR LONG PATTERN) DUCTILE IRON CLASS 350 OR CAST IRON CLASS 250 OR COMPRESSION COUPLINGS.

COMPRESSION COUPLINGS SHALL BE OF A GASKETED, SLEEVE TYPE WITH DIAMETERS TO PROPERLY FIT PLAIN END IRON PIPE. EACH COUPLING SHALL CONSIST OF ONE (1) MIDDLE RING, WITHOUT STOPS; TWO (2) FOLLOWER GLANDS; WO (2) RUBBER-COMPOUND BUNA-N BLEND, WEDGE SECTION GASKETS; AND SUFFICIENT TRACKHEAD STAINLESS STEEL BOLTS AND NUTS (ASTM A276/A193/194, TYPE 304, EXTRA HEAVY HEX) TO PROPERLY COMPRESS THE GASKETS.

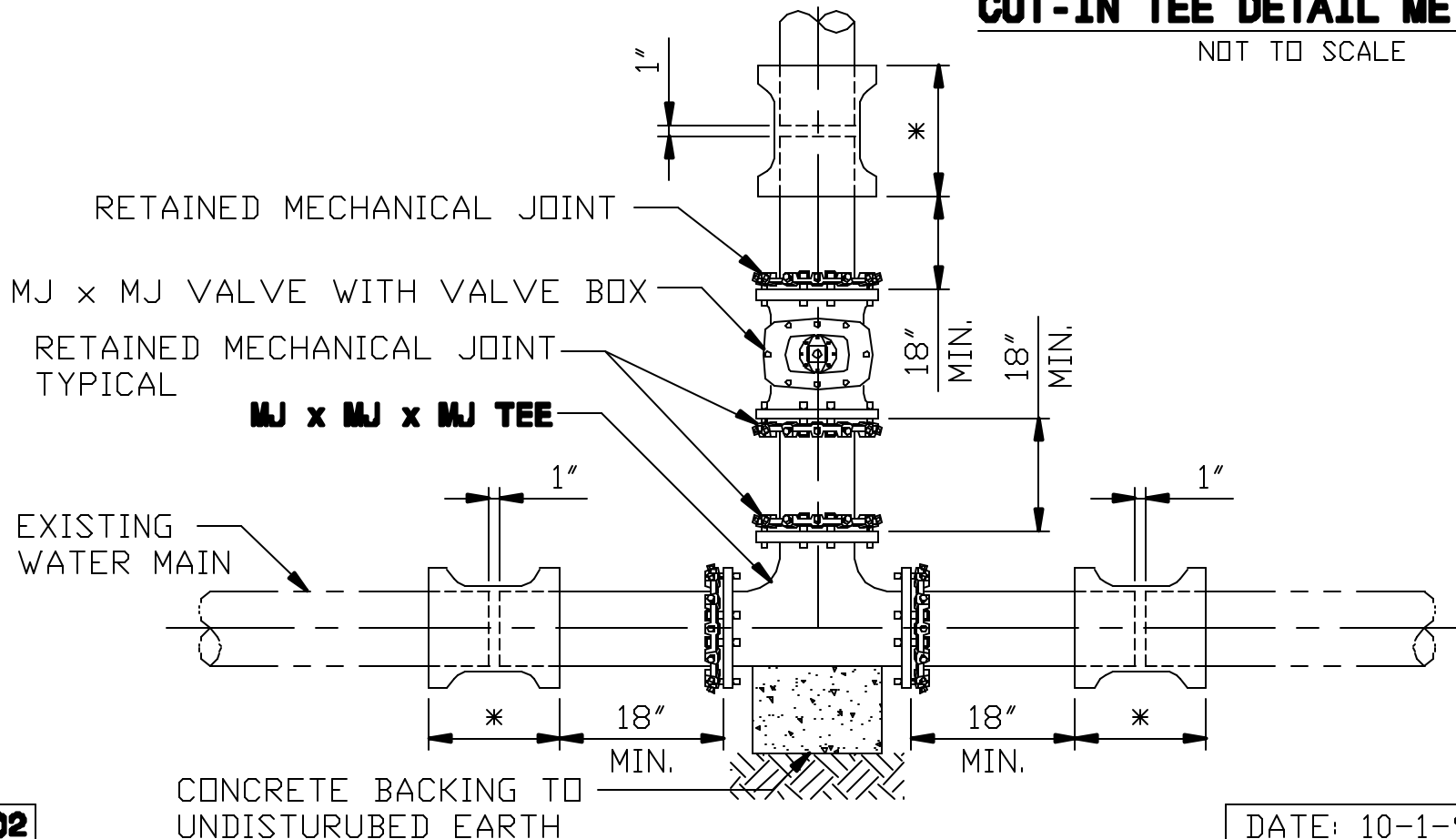
MIDDLE RING AND FOLLOWER GLANDS SHALL BE OF EITHER STEEL OR DUCTILE IRON (ASTM-A536).

THE COMPRESSION COUPLING SHALL BE WITHOUT STOPS AND BE RATED FOR A MINIMUM WORKING PRESSURE OF 250 PSI AND SHALL BE EQUAL TO THE DRESSER STYLE No's 38, 138 OR 162 (TRANSITION TYPE), OR SMITH-BLAIR 441 STRAIGHT AND TRANSITION COUPLINGS.

ALL BOLTS AND NUTS ON ALL MECHANICAL JOINTS, INCLUDING THOSE ON THE "RETAINED" TYPE, SHALL HAVE FIELD APPLIED ONE (1) COAT OF BITUMASTIC PAINTING FOLLOWED BY AN ENCASEMENT OF POLYETHYLENE WRAPPING IN ACCORDANCE WITH ANSI/AWWA C-105/A21.5-88, CLASS "C", METHOD "B".

CUT-IN TEE DETAIL METHOD No. 2

NOT TO SCALE



* CONNECTION SHALL BE MADE WITH RETAINED MECHANICAL JOINT SOLID SLEEVES (SHORT OR LONG PATTERN) DUCTILE IRON CLASS 350 OR CAST IRON CLASS 250 OR COMPRESSION COUPLINGS.

COMPRESSION COUPLINGS SHALL BE OF A GASKETED, SLEEVE TYPE WITH DIAMETERS TO PROPERLY FIT PLAIN END IRON PIPE. EACH COUPLING SHALL CONSIST OF ONE (1) MIDDLE RING, WITHOUT STOPS; TWO (2) FOLLOWER GLANDS; TWO (2) RUBBER-COMPOUND BUNA-N BLEND, WEDGE SECTION GASKETS; AND SUFFICIENT TRACKHEAD STAINLESS STEEL BOLTS AND NUTS (ASTM A276/A193/194, TYPE 304, EXTRA HEAVY HEX) TO PROPERLY COMPRESS THE GASKETS.

MIDDLE RING AND FOLLOWER GLANDS SHALL BE OF EITHER STEEL OR DUCTILE IRON (ASTM-A536).

THE COMPRESSION COUPLING SHALL BE WITHOUT STOPS AND BE RATED FOR A MINIMUM WORKING PRESSURE OF 250 PSI AND SHALL BE EQUAL TO THE DRESSER STYLE No's 38, 138 OR 162 (TRANSITION TYPE), OR SMITH-BLAIR 441 STRAIGHT AND TRANSITION COUPLINGS.

ALL BOLTS AND NUTS ON ALL MECHANICAL JOINTS, INCLUDING THOSE ON THE "RETAINED" TYPE, SHALL HAVE FIELD APPLIED ONE (1) COAT OF BITUMASTIC PAINTING FOLLOWED BY AN ENCASEMENT OF POLYETHYLENE WRAPPING IN ACCORDANCE WITH ANSI/AWWA C-105/A21.5-88, CLASS "C", METHOD "B".

