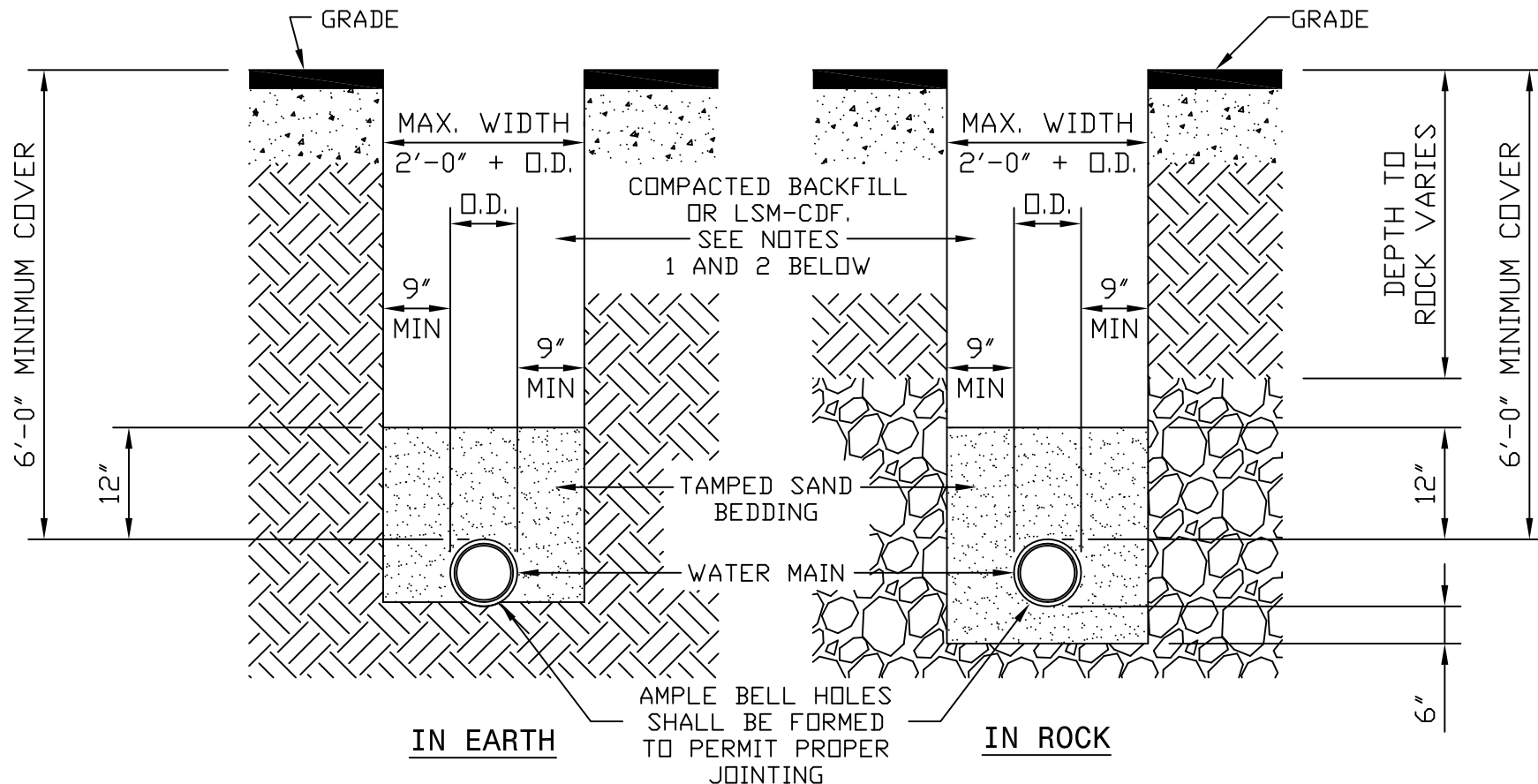


CLEVELAND DIVISION
OF WATER
CONSTRUCTION
STANDARDS

General Details

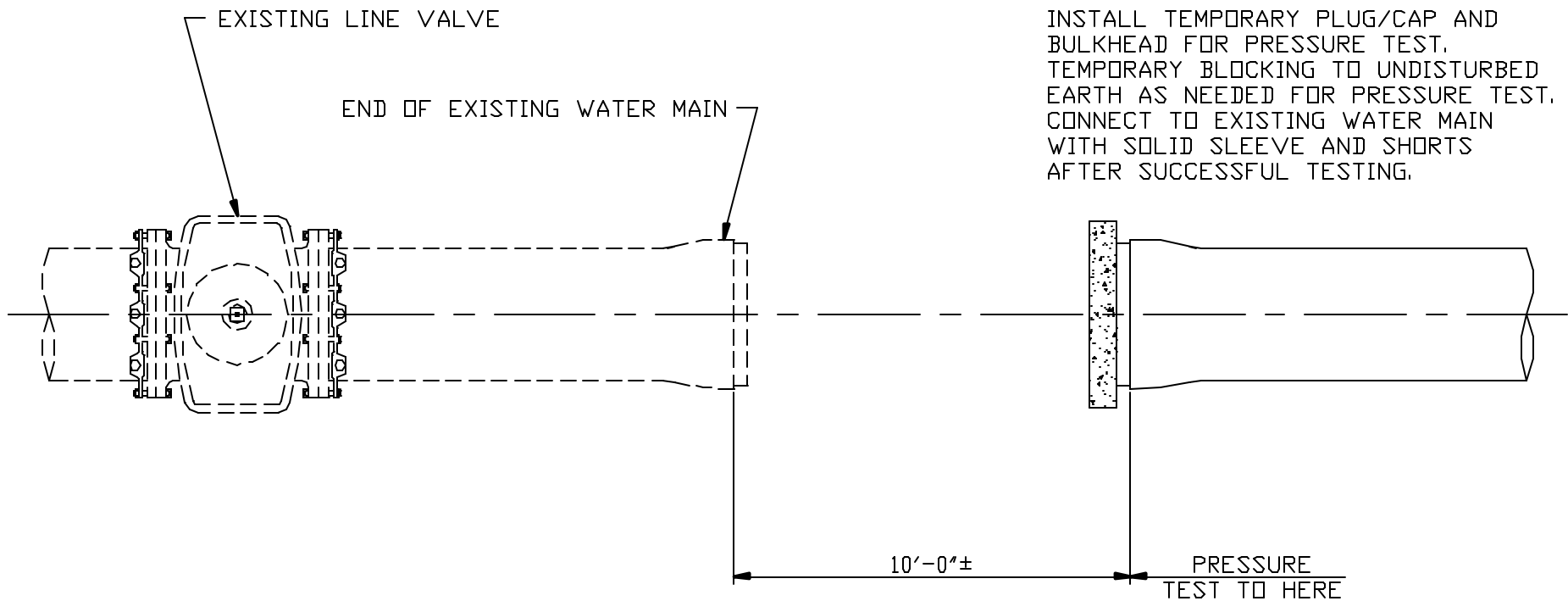


WATER MAIN TRENCH DETAILS

- NOT TO SCALE -

NOTES:

- 1) PREMIUM BACKFILL CONSISTING OF LOW STRENGTH MORTAR - CONTROLLED DENSITY FILL (LSM-CDF) "FLOWABLE FILL" IS REQUIRED:
 - A) UNDER ALL EXISTING OR FUTURE PAVEMENTS, SIDEWALKS AND DRIVES WITHIN THE CITY OF CLEVELAND CORPORATION LIMITS.
 - B) AS SPECIFIED IN LOCAL MUNICIPALITIES SERVED BY CWD (SEE LOCAL REQUIREMENTS)
- 2) WHEN PREMIUM BACKFILL IS REQUIRED BY THE LOCAL MUNICIPALITY FOR CASES OTHER THAN THOSE LISTED IN NOTE 1 ABOVE, IT SHALL BE LIMESTONE GRADED PER ODOT 304.02 OR ODOT 411. NO SLAG IS PERMITTED.
- 3) CONTRACTOR SHALL USE SPECIAL CARE IN PLACING THE SAND BEDDING, SO AS TO AVOID SCRAPING OF THE EXTERIOR COATING, INJURING THE PIPE, DISTORTING OR MOVING THE PIPE WHEN COMPACTING THE SAME. THE SAND BEDDING SHALL BE TAMPED IN SIX (6) INCH LAYERS, SIMULTANEOUSLY ON EACH SIDE OF THE PIPE, AND THOROUGHLY COMPACTED SO AS TO PROVIDE A SOLID BACKING AGAINST THE EXTERNAL SURFACE OF THE PIPE.
- 4) MINIMUM COMPACTION FOR ALL SAND BEDDING, BACKFILL AND PREMIUM BACKFILL SHALL BE 95% STANDARD PROCTOR.
- 5) PAVEMENT, SIDEWALK OR DRIVES TO BE INSTALLED IN ACCORDANCE WITH LOCAL MUNICIPALITY'S SPECIFICATIONS.



NOTE:

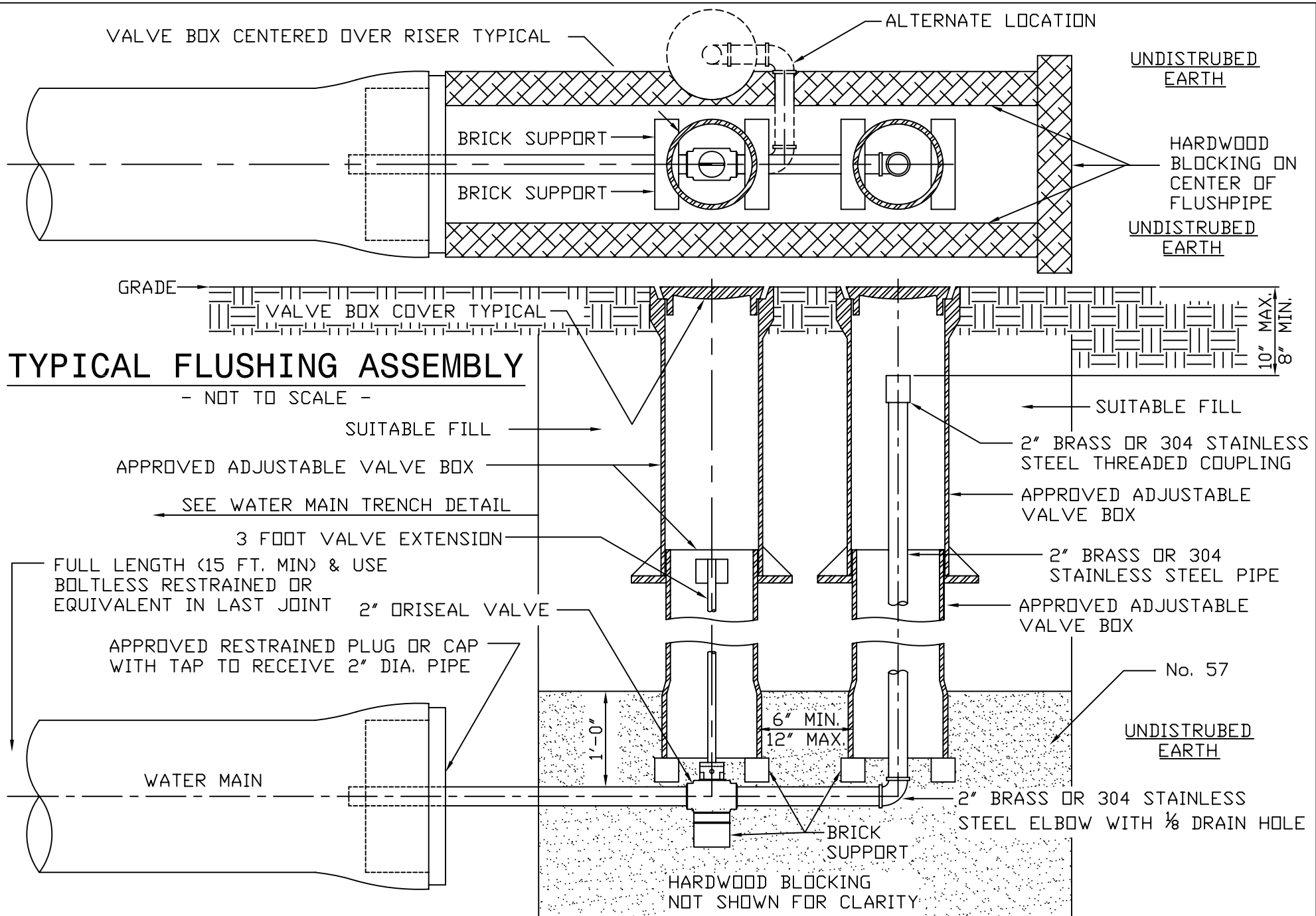
PRESSURE TESTING OF WATER MAINS:

WHERE NEW/EXTENDED WATER MAINS ARE CONNECTED TO AN EXISTING WATER MAIN FOR PRESSURE TEST, RESULTING IN FAILURE OF THE PRESSURE TEST OR ANY DAMAGE TO THE EXISTING WATER MAIN, OR ITS APPURTENANCES, THE REPAIR THEREOF SHALL BE THE SOLE RESPONSIBILITY OF THE CONTRACTOR.

ALL REPAIRS SHALL BE DONE TO THE SATISFACTION OF THE DIVISION OF WATER.

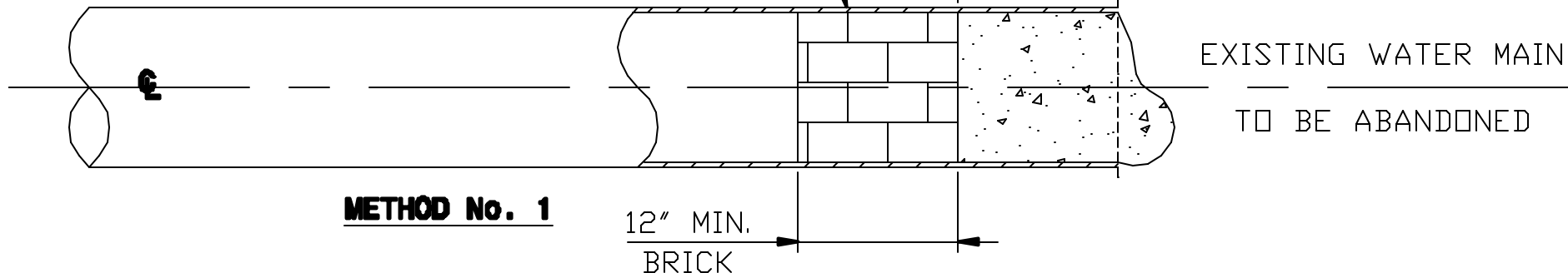
ALTERNATE PRESSURE TESTING DETAIL

- NOT TO SCALE -



BRICK BULKHEAD -
VOIDS TO BE FILLED
WITH CEMENT MORTAR

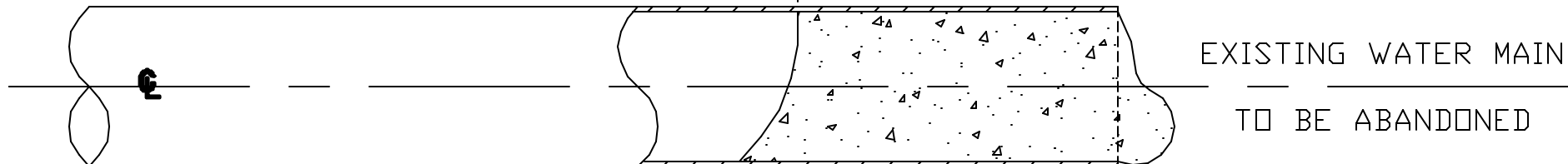
12" CONCRETE
OR SAKRETE



METHOD No. 1

NOTE:
PROPERLY DRAIN MAIN
PRIOR TO ABANDONMENT

18" MIN. - 24" MAX.
CONCRETE OR
SAKRETE



METHOD No. 2

PLUGGING ABANDONED WATER MAIN ENDS

- NOT TO SCALE -

*CONNECTION SHALL BE MADE WITH RETAINED MECHANICAL JOINT SOLID SLEEVES (SHORT OR LONG PATTERN) DUCTILE IRON CLASS 350 OR CAST IRON CLASS 250 OR COMPRESSION COUPLINGS.

COMPRESSION COUPLINGS SHALL BE OF A GASKETED, SLEEVE TYPE WITH DIAMETERS TO PROPERLY FIT PLAIN END IRON PIPE. EACH COUPLING SHALL CONSIST OF ONE (1) MIDDLE RING, WITHOUT STOPS; TWO (2) FOLLOWER GLANDS; TWO (2) RUBBER-COMPOUND BUNA-N BLEND, WEDGE SECTION GASKETS; AND SUFFICIENT TRACKHEAD STAINLESS STEEL BOLTS AND NUTS (ASTM A276/A193/194, TYPE 304, EXTRA HEAVY HEX) TO PROPERLY COMPRESS THE GASKETS.

MIDDLE RING AND FOLLOWER GLANDS SHALL BE OF EITHER STEEL OR DUCTILE IRON (ASTM-A536).

THE COMPRESSION COUPLING SHALL BE WITHOUT STOPS AND BE RATED FOR A MINIMUM WORKING PRESSURE OF 250 PSI AND SHALL BE EQUAL TO THE DRESSER STYLE No's 38, 138 OR 162 (TRANSITION TYPE), OR SMITH-BLAIR 441 STRAIGHT AND TRANSITION COUPLINGS.

ALL BOLTS AND NUTS ON ALL MECHANICAL JOINTS, INCLUDING THOSE ON THE 'RETAINED' TYPE, SHALL HAVE FIELD APPLIED ONE (1) COAT OF BITUMASTIC PAINTING FOLLOWED BY AN ENCASEMENT OF POLYETHYLENE WRAPPING IN ACCORDANCE WITH ANSI/AWWA C-105/A21.5-88, CLASS 'C', METHOD 'B'.

THE DIVISION OF WATER WILL DETERMINE THE FIELD LOCATION OF THE CUT-IN-VALVE ASSEMBLY. THE DIVISION OF WATER WILL ALSO SET THE TIME OF INSTALLATION OF THE CUT-IN-VALVE ASSEMBLY.

THE CONTRACTOR SHALL DO ALL PIPE CUTTING AND INSTALLATION. HOWEVER, THE INSTALLATION OF THE CUT-IN-VALVE ASSEMBLY SHALL BE DONE UNDER THE SUPERVISION OF THE DIVISION OF WATER.

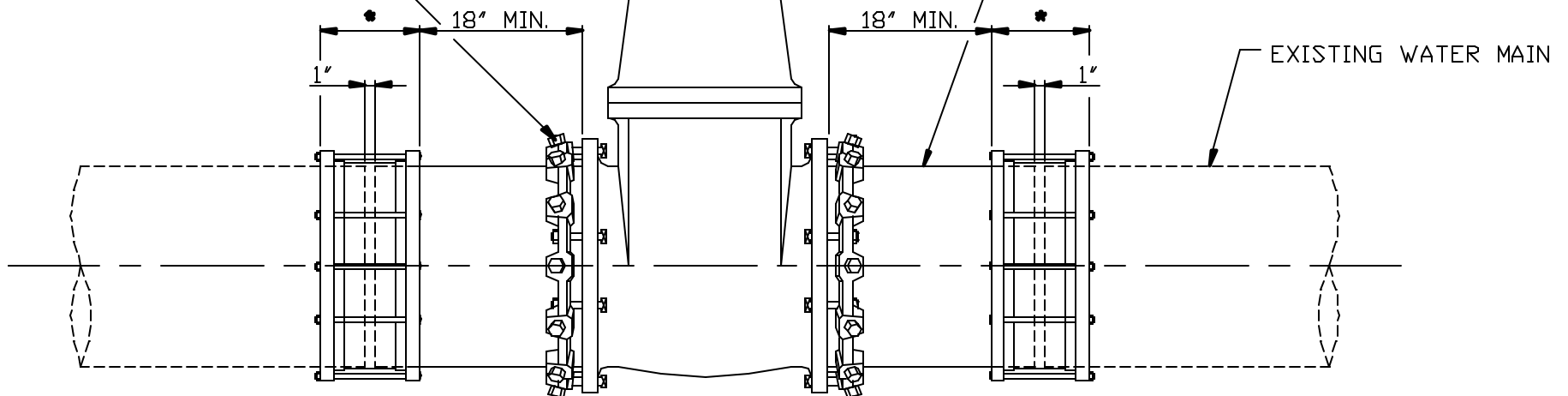
C.W.D. SQUARE HEAD RETAINED MECHANICAL JOINT
BELL END GATE VALVE WITH VALVE BOX COMPLETE.
(VALVE BOX NOT SHOWN HERE FOR CLARITY)

CUT-IN-VALVE DETAIL

- NOT TO SCALE -

RETAINED MECHANICAL JOINT

NIPPLE



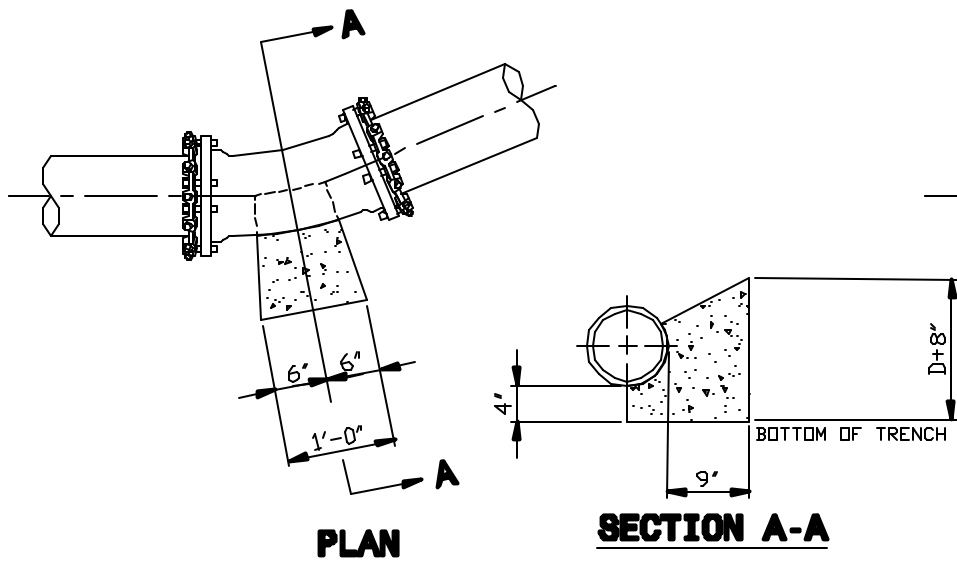
NOTE:

BEFORE CUTTING EXISTING WATER MAIN, THE NIPPLES SHALL BE CONNECTED TO THE MECHANICAL JOINT BELL END GATE VALVE. AFTER CUTTING PIPE, FINAL CONNECTIONS SHALL BE MADE WITH COUPLINGS/SOLID SLEEVES AS SPECIFIED.

STD-005

DATE: 10-1-97

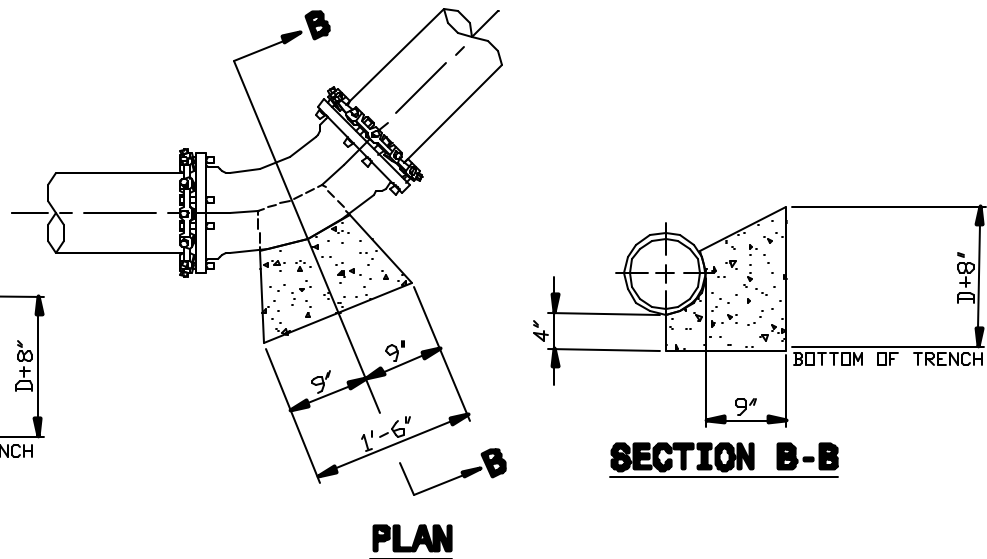
BY: RSK



PLAN

SECTION A-A

(22-1/2 DEGREE) BEND



PLAN

SECTION B-B

(45 DEGREE) BEND

**TYPICAL THRUST BLOCK DETAIL
FOR HORIZONTAL DEFLECTION
FOR PIPE UP TO 16" DIAMETER**

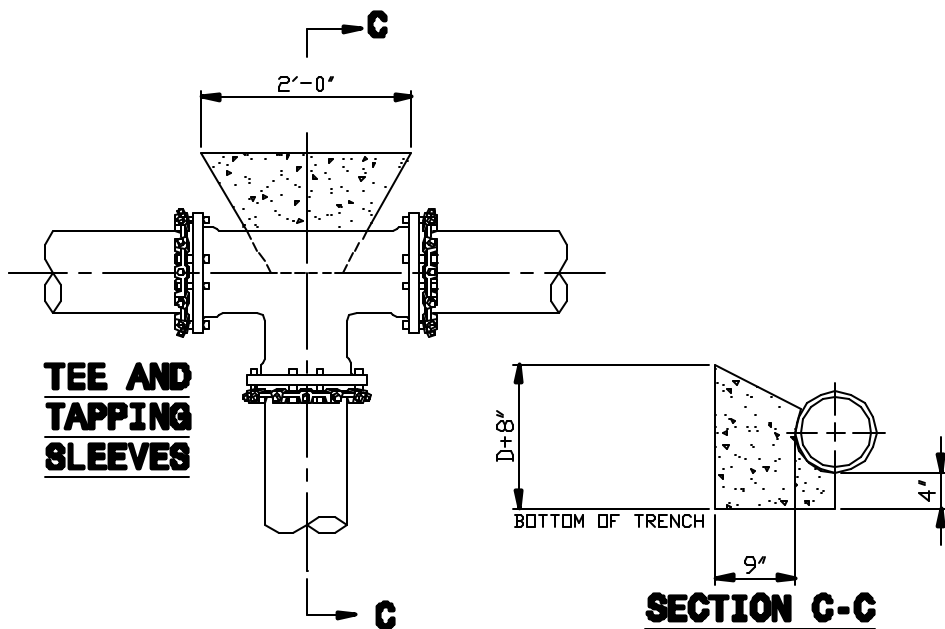
- NOT TO SCALE -
D = PIPE DIAMETER

NOTE 1: ALL DIMENSIONS SHOWN HEREON ARE MINIMUM; THRUST BLOCK SHALL BE POURED TO UNDISTURBED EARTH.

NOTE 2: ALL CONCRETE FOR THRUST BLOCKS SHALL BE CLASS "C" HAVING 4,000 PSI 28 DAY COMPRESSIVE STRENGTH.

NOTE 3: DO NOT COVER BOLTS WITH CONCRETE ON MECHANICAL JOINTS.

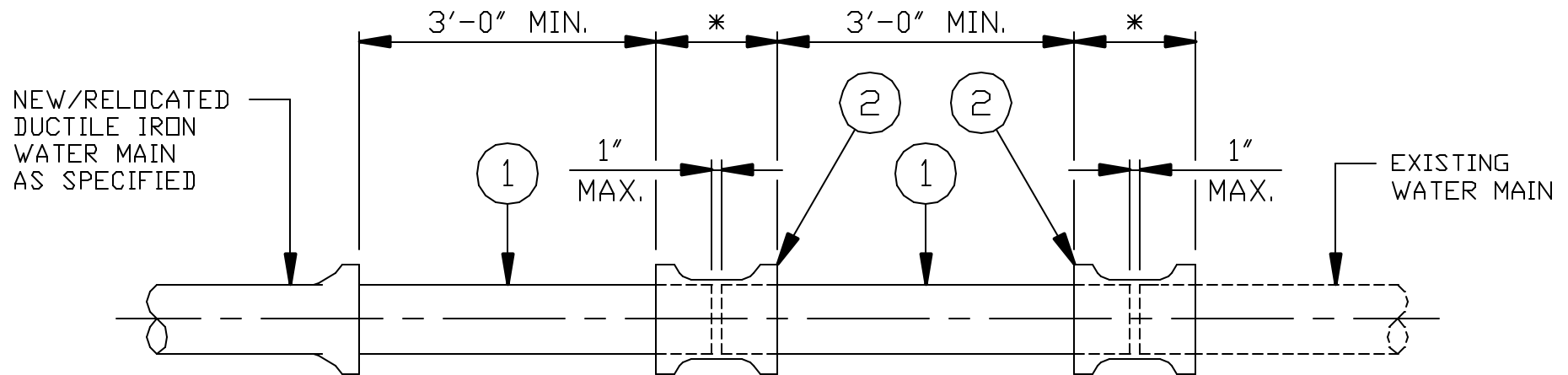
NOTE 4: USE FORMS WHEN POURING CONCRETE TO MAINTAIN SHAPE AND DIMENSIONS OF THRUST BLOCKS.



**TEE AND
TAPPING
SLEEVES**

PLAN

SECTION C-C



SLEEVE-IN INSTALLATION DETAIL

- NOT TO SCALE -

1) PLAIN END x PLAIN END DUCTILE IRON PIPE AS SPECIFIED (CUT TO SUIT).

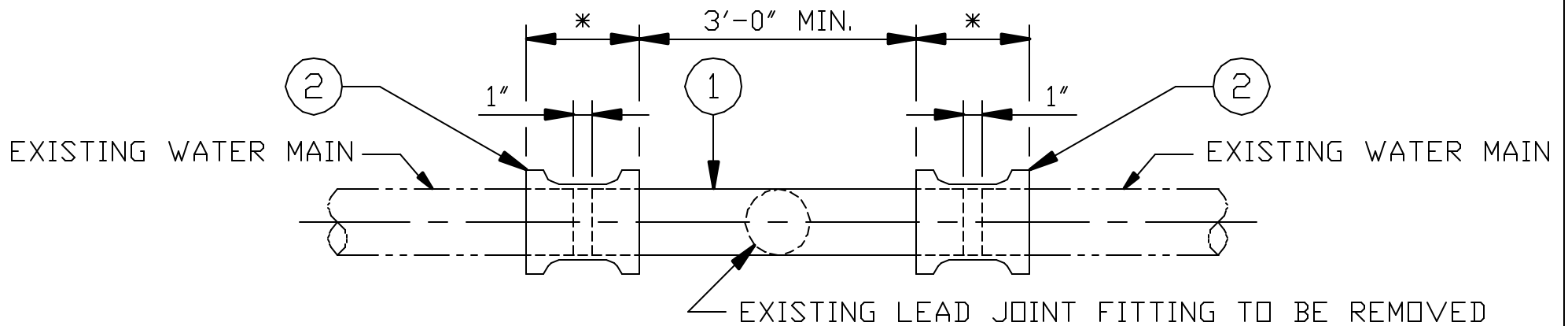
2) *CONNECTION SHALL BE MADE WITH RETAINED MECHANICAL JOINT SOLID SLEEVES (SHORT OR LONG PATTERN) DUCTILE IRON CLASS 350 OR CAST IRON CLASS 250 OR COMPRESSION COUPLINGS.

COMPRESSION COUPLINGS SHALL BE OF A GASKETED, SLEEVE TYPE WITH DIAMETERS TO PROPERLY FIT PLAIN END IRON PIPE. EACH COUPLING SHALL CONSIST OF ONE (1) MIDDLE RING, WITHOUT STOPS; TWO (2) FOLLOWER GLANDS; TWO (2) RUBBER-COMPOUND BUNA-N BLEND, WEDGE SECTION GASKETS; AND SUFFICIENT TRACKHEAD STAINLESS STEEL BOLTS AND NUTS (ASTM A276/A193/194, TYPE 304, EXTRA HEAVY HEX) TO PROPERLY COMPRESS THE GASKETS.

MIDDLE RING AND FOLLOWER GLANDS SHALL BE OF EITHER STEEL OR DUCTILE IRON (ASTM-A536).

THE COMPRESSION COUPLING SHALL BE WITHOUT STOPS AND BE RATED FOR A MINIMUM WORKING PRESSURE OF 250 PSI AND SHALL BE EQUAL TO THE DRESSER STYLE No's 38, 138 OR 162 (TRANSITION TYPE), OR SMITH-BLAIR 441 STRAIGHT AND TRANSITION COUPLINGS.

3) ALL BOLTS AND NUTS ON ALL MECHANICAL JOINTS, INCLUDING THOSE ON THE "RETAINED" TYPE, SHALL HAVE FIELD APPLIED ONE (1) COAT OF BITUMASTIC PAINTING FOLLOWED BY AN ENCASEMENT OF POLYETHYLENE WRAPPING IN ACCORDANCE WITH ANSI/AWWA C-105/A21.5-88, CLASS "C", METHOD "B".



SPOOL PIECE INSTALLATION DETAIL

NOT TO SCALE

1) PLAIN END x PLAIN END DUCTILE IRON PIPE AS SPECIFIED (CUT TO SUIT).

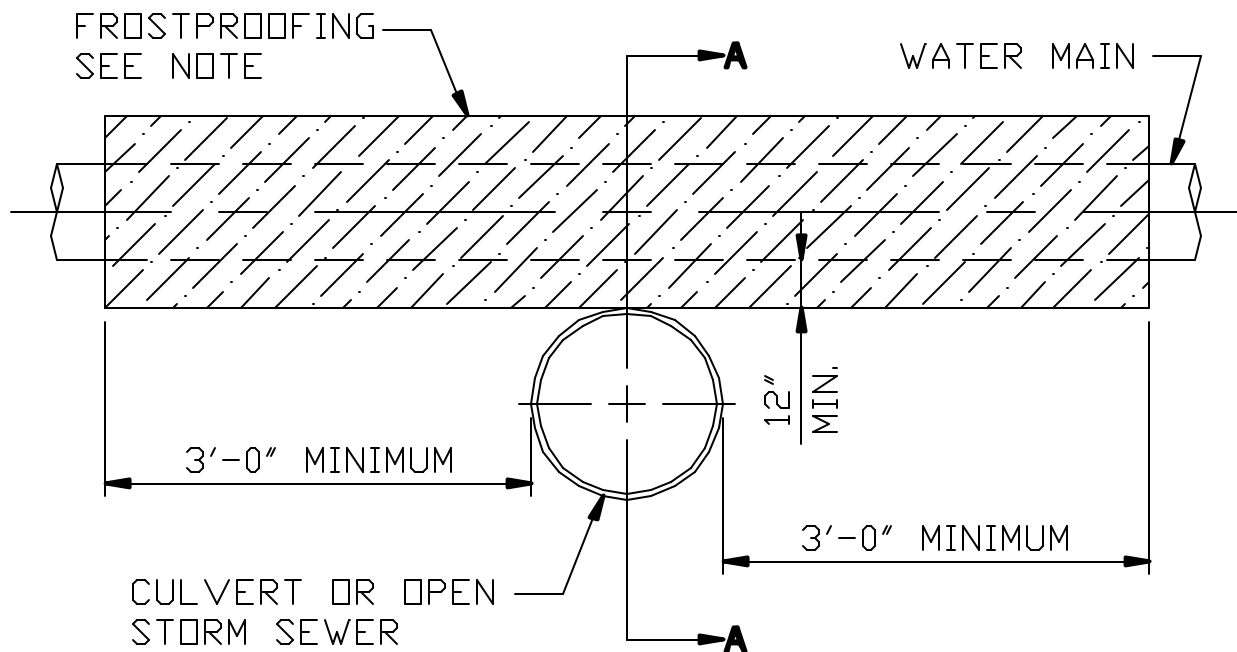
2) *CONNECTION SHALL BE MADE WITH RETAINED MECHANICAL JOINT SOLID SLEEVES (SHORT OR LONG PATTERN) DUCTILE IRON CLASS 350 OR CAST IRON CLASS 250 OR COMPRESSION COUPLINGS.

COMPRESSION COUPLINGS SHALL BE OF A GASKETED, SLEEVE TYPE WITH DIAMETERS TO PROPERLY FIT PLAIN END IRON PIPE. EACH COUPLING SHALL CONSIST OF ONE (1) MIDDLE RING, WITHOUT STOPS; TWO (2) FOLLOWER GLANDS; TWO (2) RUBBER-COMPOUND BUNA-N BLEND, WEDGE SECTION GASKETS; AND SUFFICIENT TRACKHEAD STAINLESS STEEL BOLTS AND NUTS (ASTM A276/A193/194, TYPE 304, EXTRA HEAVY HEX) TO PROPERLY COMPRESS THE GASKETS.

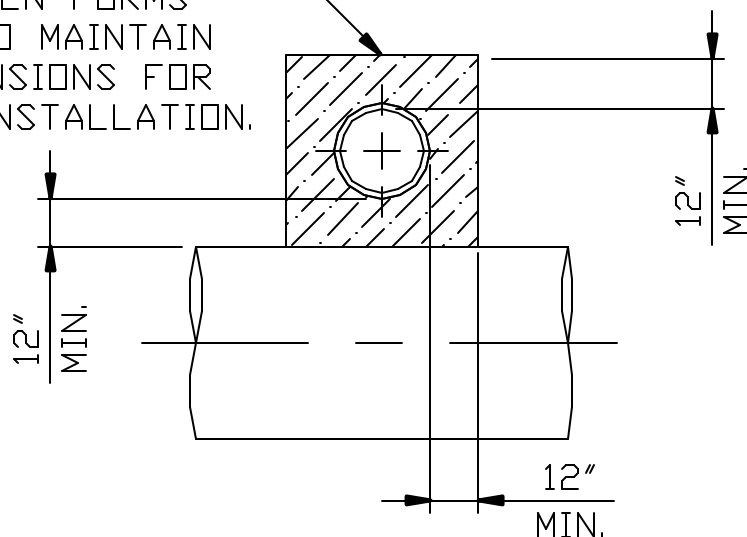
MIDDLE RING AND FOLLOWER GLANDS SHALL BE OF EITHER STEEL OR DUCTILE IRON (ASTM-A536).

THE COMPRESSION COUPLING SHALL BE WITHOUT STOPS AND BE RATED FOR A MINIMUM WORKING PRESSURE OF 250 PSI AND SHALL BE EQUAL TO THE DRESSER STYLE No's 38, 138 OR 162 (TRANSITION TYPE), OR SMITH-BLAIR 441 STRAIGHT AND TRANSITION COUPLINGS.

3) ALL BOLTS AND NUTS ON ALL MECHANICAL JOINTS, INCLUDING THOSE ON THE "RETAINED" TYPE, SHALL HAVE FIELD APPLIED ONE (1) COAT OF BITUMASTIC PAINTING FOLLOWED BY AN ENCASUREMENT OF POLYETHYLENE WRAPPING IN ACCORDANCE WITH ANSI/AWWA C-105/A21.5-88, CLASS "C", METHOD "B".



USE OF WOODEN FORMS AS NEEDED TO MAINTAIN PROPER DIMENSIONS FOR INSULATION INSTALLATION.



SECTION A-A

MINIMUM ONE (1) FOOT FROSTPROOFING INSULATION ENVELOPE REQUIRED WITH WATER MAIN LAID WITH LESS THAN FIVE (5) FT. COVER; CROSSING OVER STORM SEWERS 24" AND LARGER; OR CROSSING UNDER OPEN END CULVERTS, OR OTHERWISE DIRECTED BY C.W.D.

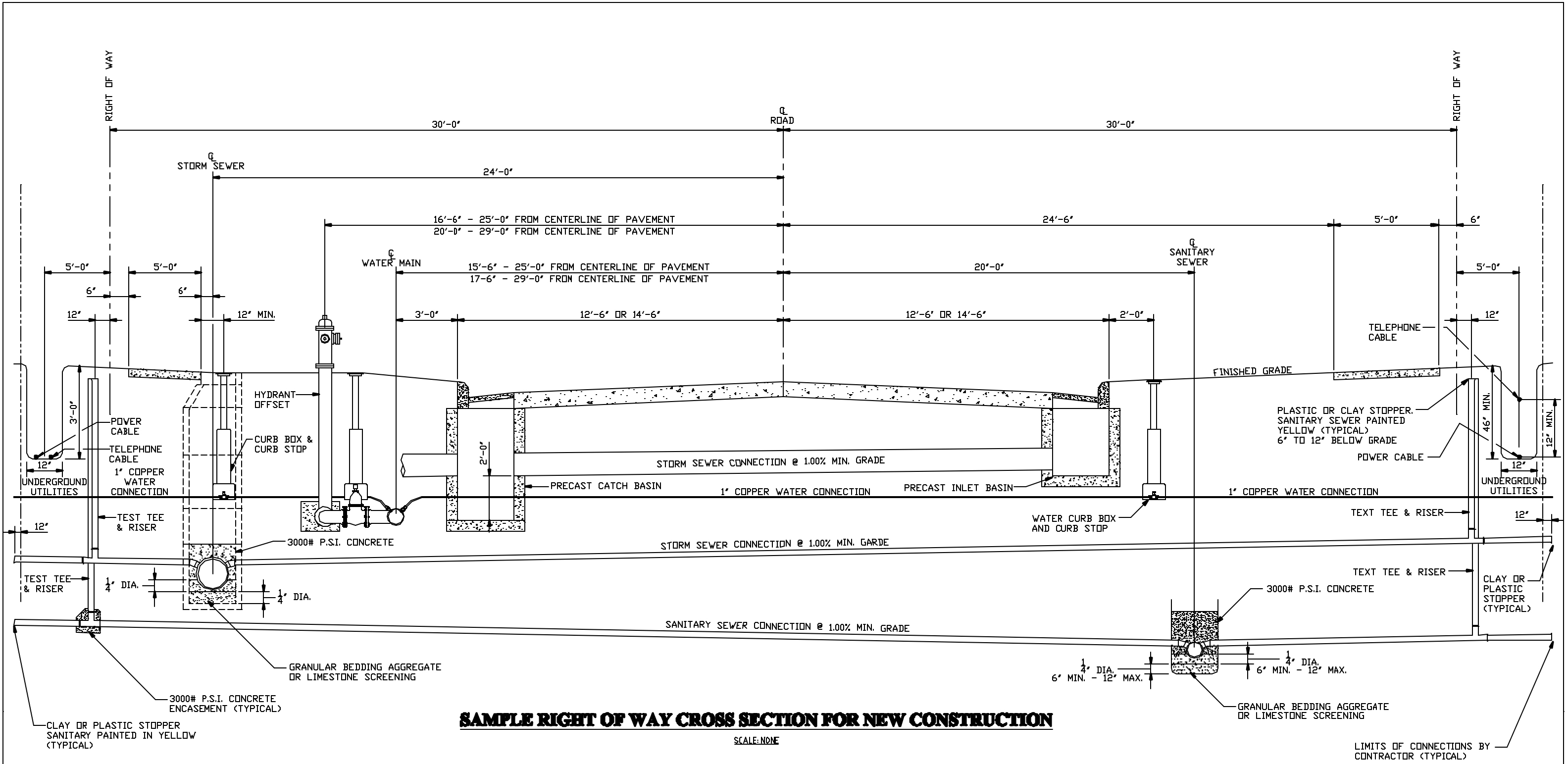
IN NO CASE SHALL THE MAINS BE LAID WITH LESS THAN 3'-6" OF COVER IN UNPAVED AREAS & 3'-0" TO BOTTOM OF SLAB IN PAVED AREAS.

NOTE:

COMPACTED "WITCOLITE" INSULATION AS MANUFACTURED BY PIONEER PRODUCTS, DIVISION OF WITCO CHEMICAL COMPANY, INC. OR "GILSULATE 500 XR" AS MANUFACTURED BY AMERICAN THERMAL PRODUCTS, INC.

TYPICAL FROSTPROOFING DETAIL

- NOT TO SCALE -



SAMPLE RIGHT OF WAY CROSS SECTION FOR NEW CONSTRUCTION

SCALE: NONE

LIMITS OF CONNECTIONS BY CONTRACTOR (TYPICAL)

CLEVELAND WATER NOTES FOR WATER MAIN INSTALLATION AND/OR REPLACEMENT

DEVELOPERS, ENGINEERS, AND CONTRACTORS ARE TO ABIDE BY THE MOST CURRENT VERSION OF THE CLEVELAND WATER NOTES AND DETAILS. THE MOST UP-TO-DATE VERSION CAN BE FOUND AT WWW.CLEVELANDWATER.COM/CONSTRUCTION/

GENERAL:

1. ALL WATER WORK REQUIRED, WHETHER SHOWN ON THE PLANS OR AS DIRECTED BY CLEVELAND WATER, SHALL BE AT THE EXPENSE OF THE PROJECT UNLESS OTHERWISE AGREED TO BY THE COMMISSIONER OF THE CLEVELAND DIVISION OF WATER.

2. THE INFORMATION SHOWN ON THE CLEVELAND DIVISION OF WATER'S SUMMARY OF WORK/CHARGE LETTER, STRIP MAPS, AS BUILT DRAWINGS, AND GIS ARE TAKEN FROM EXISTING AVAILABLE RECORDS, AND THEIR ACCURACY IS NOT GUARANTEED.

3. CALL THE INSPECTION AND ENFORCEMENT UNIT AT 216-664-2342 TO SCHEDULE A PRECONSTRUCTION MEETING AT LEAST 1 WEEK PRIOR TO STARTING CONSTRUCTION. THE OPERATION OF ANY VALVE OR ALTERATION OF ANY PART OF THE WATER SYSTEM BY CONTRACTORS OR THEIR EMPLOYEES IS PROHIBITED WITHOUT THE SUPERVISION OF THE CLEVELAND DIVISION OF WATER INSPECTOR. SEE ALSO NOTE 20 REGARDING ADDITIONAL ADVANCE NOTIFICATION REQUIRED IN AREAS SUSPECTED TO CONTAIN LEAD SERVICE CONNECTION (ALL AREAS INSTALLED PRIOR TO 1954).

4. PRIOR TO REQUESTING CHLORINATION, THE CONTRACTOR SHALL SUPPLY THE CLEVELAND WATER INSPECTOR WITH REDLINE DRAWINGS

SHOWING CHANGES MADE FROM THE APPROVED DESIGN DRAWINGS AND ACTUAL MEASUREMENTS. CHLORINATION SHALL NOT OCCUR BEFORE THESE DRAWINGS ARE SUBMITTED.

5. FOR THE PURPOSES OF CHLORINATION AND BACTERIOLOGICAL TESTING OF THE WATER MAINS THE CONTRACTOR SHALL PROVIDE AND INSTALL, AT EACH OF THE CHLORINATION PIT LOCATIONS SHOWN AND AT OTHER LOCATIONS DETERMINED BY CLEVELAND WATER. FLUSHING / SAMPLING TAP SIZES ARE TO BE DETERMINED CLEVELAND WATER. CHLORINATION PITS SHALL BE SIX (6) FOOT SQUARE AND ARE TO MEET OSHA STANDARDS. NO CUSTOMER TAPS SHALL BE INSTALLED PRIOR TO CHLORINATION.

6. A TWO YEAR WARRANTY, COMMENCING FROM THE DATE OF ACCEPTANCE OF THE FINAL CHLORINATION OF THE WATER MAIN INSTALLATION SHALL BE PROVIDED BY THE BUILDER/DEVELOPER AND/OR CONTRACTOR FOR ALL WATER MAINS AND SERVICE CONNECTION WORK PERFORMED BY THE CONTRACTOR, INCLUDING TAPS IF PERFORMED. SHOULD ANY LEAKS OCCUR AND REPAIRS BE REQUIRED DUE TO DEFECTIVE MATERIAL OR POOR WORKMANSHIP. A LETTER INDICATING THE COMMENCEMENT DATE AND END DATE OF THE WARRANTY SHALL BE INCLUDED WITH THE AS-BUILT SUBMISSION IN NOTE 12.

7. USE BACKFILL MATERIAL AS SPECIFIED AND COMPACT SUFFICIENTLY IN THOSE AREAS WHERE EXISTING MAINS AND WATER SERVICE CONNECTIONS ARE EXPOSED. (SEE CLEVELAND WATER STANDARD DETAIL STD-001)

8. ALL MATERIALS, INCLUDING BUT NOT LIMITED TO WATER MAINS, FIRE HYDRANTS, VALVES, CONNECTION MATERIALS AND OTHER WATER APPURTENANCES, SHALL BE NEW AND UNUSED AND SHALL CONFORM TO THE MOST CURRENT CLEVELAND WATER SPECIFICATIONS. ALL MATERIAL SHALL BE INSTALLED IN ACCORDANCE WITH CLEVELAND WATER'S STANDARDS.

9. THE CONTRACTOR SHALL BE RESPONSIBLE FOR ANY DAMAGE TO EXISTING WATER MAINS AND APPURTENANCES THEREOF WHEN CONSTRUCTING OR CONNECTING THE NEW WATER MAIN. THIS SHALL INCLUDE LEADED JOINTS IN EXISTING FITTINGS WHICH MAY REQUIRE REPLACEMENT FITTINGS AT THE DISCRETION OF THE INSPECTOR IF IT IS DETERMINED THEY WERE DISTURBED. ALL REPAIRS TO DAMAGED EXISTING FACILITIES SHALL BE MADE BY THE CONTRACTOR, AT THE PROJECT' EXPENSE, TO THE SATISFACTION OF CLEVELAND WATER.

10. ALL HYDROSTATIC PRESSURE TESTING SHALL BE DONE BY THE CONTRACTOR IN THE PRESENCE OF THE CLEVELAND WATER INSPECTOR. THE HYDROSTATIC TEST PRESSURE SHALL BE 75 PSI ABOVE THE STATIC PRESSURE PREVAILING AT THE SITE, BUT IN NO CASE LESS THAN 150 PSI. THE PRESSURE TEST SHALL BE FOR A DURATION OF TWO (2) HOURS WITH THE PRESSURE BEING MAINTAINED WITHIN 5 PSI OF THE REQUIRED TEST PRESSURE. SHOULD THE PRESSURE TEST FAIL THE CONTRACTOR SHALL FIND AND CORRECT THE DEFICIENCY(IES) TO THE SATISFACTION OF CLEVELAND WATER AND REPEAT THE TWO (2) HOUR PRESSURE TEST.

11. ALL BURIED WATER MAINS, FITTINGS, VALVES, FIRE HYDRANT BRANCH PIPING AND APPURTENANCES SHALL BE ENCASED WITH V-BIO® ENHANCED POLYETHYLENE ENCASEMENT INSTALLED IN ACCORDANCE WITH THE MOST CURRENT REVISION OF ANSI/AWWA C-105/A21.5 MODIFIED METHOD "A".

12. THE PROJECT'S PROFESSIONAL ENGINEER OR A DESIGNATED PROFESSIONAL SURVEYOR SHALL OBTAIN ACTUAL FIELD MEASUREMENTS OF THE MAIN DURING INSTALLATION AND SHALL FURNISH THE CLEVELAND WATER INSPECTOR WITH AS-BUILT DRAWINGS MEETING CLEVELAND WATER STANDARDS WITHIN 30 DAYS OF THE WATER MAIN GOING INTO SERVICE AND ALL TAPS/RETAPS BEING MADE. ONE HARD COPY AND ONE PDF COPY SHALL BE PROVIDED. DRAWINGS SHALL BE SIGNED, DATED, AND STAMPED WITH THE ENGINEER OR SURVEYOR'S SEAL. REDLINE DRAWINGS ARE NOT SUFFICIENT. CLEVELAND WATER RESERVES THE RIGHT TO WITHHOLD PAYMENT AND/OR APPROVAL OF FUTURE WORK IF AS-BUILTS ARE NOT SUBMITTED.

WATER MAINS:

13. ALL PIPE, UNLESS OTHERWISE APPROVED BY CLEVELAND WATER, SHALL BE DUCTILE IRON, MINIMUM CLASS 52, CEMENT LINED HAVING PUSH-ON JOINTS WITH RADIALLY COMPRESSED RUBBER RING GASKET AND INSTALLED AS PER THE MOST CURRENT REVISION OF AWWA C600.

14. ALL FITTINGS, UNLESS OTHERWISE CALLED FOR, SHALL BE APPROVED DUCTILE IRON, CLASS 350, CEMENT LINED OR FUSION BONDED EPOXY COATED. ALL FITTINGS AND PIPE CONNECTED TO

CLEVELAND WATER NOTES FOR WATER MAIN INSTALLATION AND/OR REPLACEMENT

FITTINGS SHALL BE RESTRAINED USING A "RETAINED" MECHANICAL JOINT CONFORMING TO THE MATERIAL AND PERFORMANCE REQUIREMENTS OF ANSI/AWWA C-110/A21.10 AND ANSI/AWWA C-111/A21.11, OR "COMPACT" FITTINGS IN ACCORDANCE WITH ANSI/AWWA C-153/A21.53. EXCEPT FOR ANCHOR TEES, REDUCERS OR OTHER SPECIAL CIRCUMSTANCES WHEN BY CLEVELAND WATER, ALL FITTINGS ARE TO HAVE BELL ENDS.

15. ALL BOLTS AND NUTS ON ALL "RETAINED" MECHANICAL JOINTS SHALL HAVE FIELD APPLIED ONE (1) COAT OF BITUMASTIC PAINTING.

16. WHERE SHOWN ON THE PLANS, OR WHEN OTHERWISE CALLED FOR, PIPE AND FITTINGS SHALL HAVE AN APPROVED "TYPE I" OR "TYPE II" BOLTLESS RESTRAINED PUSH-ON JOINTS TO THE LIMITS SHOWN ON THE DRAWINGS.

17. AT THE END OF EACH WORKDAY, THE CONTRACTOR SHALL PLUG ALL OPEN PIPE ENDS WITH WATER TIGHT PLUGS AS PER THE "PREVENTITIVE AND CORRECTIVE MEASURES DURING CONSTRUCTION" SECTION OF THE MOST CURRENT REVISION OF AWWA C-651 AS TO PREVENT THE INFILTRATION OR INTRUSION OF ANY FOREIGN OBJECTS OR MATERIALS. DATE STAMPED DIGITAL PHOTOS SHALL BE PROVIDED FOR EACH WORKDAY DEMONSTRATING THAT PROPER AWWA C-651 METHODS WERE USED TO PLUG ALL OPEN WATER MAIN ENDS. EACH PHOTO SHALL CLEARLY IDENTIFY THE STATION AT WHICH THE PIPE IS PLUGGED. THE STATIONING SHALL BE SHOWN BY THE USE OF A STATION MARKER PLACED AT THE PLUGGED PIPE END.

PHOTOS SHALL BE SUBMITTED ON A DAILY BASIS UNLESS OTHERWISE DEFINED BY THE CLEVELAND WATER INSPECTOR OR ENGINEER. ALL PHOTOS TAKEN OVER THE COURSE OF THE PROJECT SHALL BE SUBMITTED BY THE CONTRACTOR AS PART OF THE AS-BUILT SUBMITTAL. PHOTOS ARE TO INCLUDE STATIONING MARKERS. AS-BUILTS SHALL BE DEEMED INCOMPLETE WITHOUT SAID COLLECTION OF DIGITAL PHOTOS.

HYDRANTS:

18. IN ALL HYDRANT INSTALLATIONS THE CONTRACTOR SHALL FACE ALL HYDRANT'S 4" (STEAMER) NOZZLE TOWARD THE PAVEMENT PRIOR TO TESTING AND CHLORINATION OF WATER MAINS. ONLY CLEVELAND WATER APPROVED HYDRANT MODELS SHALL BE INSTALLED. CONTRACTOR SHALL CONSULT WITH THE LOCAL MUNICIPALITY'S ENGINEERING OR SERVICE DEPARTMENT TO OBTAIN HYDRANT NOZZLE THREAD REQUIREMENTS IF NOT INDICATED ON THE APPROVED PLANS. ALL HYDRANTS SHALL BE FACTORY EQUIPPED WITH THE APPROPRIATE HYDRANT NOZZLE.

HYDRANT BRANCHES SHALL BE FULLY RESTRAINED AND INSTALLED PER THE APPROPRIATE HYDRANT CLEVELAND WATER HYDRANT DETAIL. HYDRANT BRANCH VALVES SHALL BE PLACED DIRECTLY AFTER THE HYDRANT TEE UNLESS OTHERWISE APPROVED BY THE INSPECTOR IN WRITING.

VALVES:

19. ALL VALVES SHALL BE AN APPROVED MODEL RESILIENT SEATED GATE VALVES AS PER THE MOST CURRENT VERSION OF AWWA C509 OR C515. VALVE OPERATING NUTS SHALL BE TAPERED (1 7/8" TO 2" FROM TOP TO BOTTOM) AND 2" DEEP. VALVES MORE THAN 10 YEARS OLD AT TIE IN POINTS TO EXISTING MAINS SHALL BE REPLACED AT THE PROJECT'S EXPENSE UNLESS OTHERWISE DIRECTED.

LEAD SERVICE CONNECTIONS:

20. LEAD SERVICES: A MINIMUM OF 45 DAYS BEFORE THE PRECONSTRUCTION MEETING, CWD SHALL PROVIDE A NOTICE TO ALL AFFECTED CUSTOMERS THAT THEIR WATER SERVICE LINE WILL BE DISTURBED. A MINIMUM OF 75 DAYS BEFORE THE PRECONSTRUCTION MEETING, THE CONTRACTOR OR ENGINEER SHALL PROVIDE CWD (AND THE LOCAL MUNICIPALITY OF OUTSIDE THE CITY OF CLEVELAND) A LIST OF ALL CUSTOMER ADDRESSES THAT WILL BE AFFECTED BY THE WATER MAIN REPLACEMENT PROJECT. FAILURE TO PROVIDE A LIST OF CUSTOMER ADDRESSES IN A TIMELY MANNER MAY RESULT IN PROJECT DELAYS.

ANY CITY-OWNED LEAD SERVICE LINE ENCOUNTERED SHALL BE REPLACED WITH TYPE K COPPER. THE REPLACEMENT SERVICE LINE SHALL BE SIZE-ON-SIZE WITH A 1-INCH MINIMUM DIAMETER. IF A CUSTOMER-OWNED LEAD SERVICE LINE IS ENCOUNTERED, THE CONTRACTOR SHALL LEAVE A CWD-SUPPLIED CUSTOMER NOTIFICATION DOOR HANGER ON ALL ACCESSIBLE POINTS OF ENTRY TO THE HOME AND IMMEDIATELY NOTIFY THE CWD INSPECTOR. IF THE CWD INSPECTOR IS NOT

AVAILABLE, CALL PAYTON HALL AT (216) 664-2444, EXT. 73000 OR (216) 971-2721. CUSTOMERS WITH A CUSTOMER-OWNED LEAD SERVICE LINE SHALL NOT BE RECONNECTED TO THE NEW WATER MAIN WITHOUT EXPRESS WRITTEN APPROVAL FROM PAYTON HALL, OR HIS APPROVED REPRESENTATIVE AT CWD.

AS PART OF THIS CONTRACT, THE CONTRACTOR SHALL OFFER EACH CUSTOMER TO REPLACE LEAD SERVICES FROM THE CORPORATION STOP TO THE INLET STOP & WASTE VALVE INSIDE THE CUSTOMER'S HOME. IF THE REPLACEMENT IS NOT COVERED UNDER THE BID ITEMS, THE CONTRACTOR SHALL PROVIDE CWD (AND THE LOCAL MUNICIPALITY IF OUTSIDE THE CITY OF CLEVELAND) WITH A CHANGE ORDER AND COST ESTIMATES FOR THE CUSTOMER-OWNED LEAD SERVICE LINE REPLACEMENT. UPON APPROVAL FROM CWD (AND THE LOCAL MUNICIPALITY IF OUTSIDE THE CITY OF CLEVELAND), THE CONTRACTOR SHALL PERFORM THE REPLACEMENT OF THE CUSTOMER-OWNED LEAD SERVICE LINE. AS STATED ABOVE, CUSTOMERS WITH CUSTOMER-OWNED LEAD SERVICE LINES SHALL NOT BE RECONNECTED TO THE NEW WATER MAIN WITHOUT EXPRESS WRITTEN APPROVAL FROM PAYTON HALL, OR HIS APPROVED REPRESENTATIVE AT CWD.

IN THE EVENT THAT A CWD WAIVER IS GRANTED SUCH THAT A CUSTOMER-OWNED LEAD SERVICE LINE IS NOT REPLACED, CWD SHALL SUPPLY THE CONTRACTOR WITH LEAD FILTERS AND PITCHERS THAT THE CONTRACTOR SHALL DISTRIBUTE TO EACH RESIDENCE WITHIN THE PROJECT AREA, INCLUDING TO ALL UNITS OF MULTI-UNIT HOUSING BUILDINGS. THE FILTERS SHALL BE POUR-THROUGH PITCHER TYPE LEAD FILTERS THAT ARE NSF/ANSI-53 CERTIFIED TO REMOVE

CLEVELAND WATER NOTES FOR WATER MAIN INSTALLATION AND/OR REPLACEMENT

LEAD. THE PITCHER, A 3-MONTH SUPPLY OF FILTERS, AND CWD-SUPPLIED USE INSTRUCTIONS AND OTHER APPLICABLE MATERIALS SHALL BE DISTRIBUTED. RECORDS OF RESIDENTS WHO RECEIVED AND WHO REFUSED THE FILTERS SHALL BE PROVIDED BY THE CONTRACTOR TO CWD (AND THE LOCAL MUNICIPALITY IF OUTSIDE THE CITY OF CLEVELAND).

AT THE BEGINNING OF THE DAY THAT A CUSTOMER IS SCHEDULED TO BE CONNECTED TO THE NEW WATER MAIN, THE CONTRACTOR SHALL DISTRIBUTE THE APPROPRIATE CWD-SUPPLIED CUSTOMER NOTIFICATION DOOR HANGER AND OTHER APPLICABLE MATERIALS ON ALL ACCESSIBLE POINTS OF ENTRY TO THE HOME AND IN A PROMINENT LOCATION AT ALL MULTI-UNIT HOUSING BUILDINGS. THE APPROPRIATE DOOR NOTIFICATION WILL BE DETERMINED BY (1) WHETHER A CUSTOMER-OWNED LEAD SERVICE LINE REMAINS IN THE PROJECT AREA AND (2) THE TYPE OF MATERIAL OF THE INDIVIDUAL CUSTOMER-OWNED SERVICE LINE.

21. DIELECTRIC COUPLINGS: IN THE EVENT THAT A CWD WAIVER IS GRANTED SUCH THAT A CUSTOMER-OWNED LEAD SERVICE LINE IS NOT REPLACED, AND A NEW SERVICE IS CONNECTED TO A CUSTOMER-OWNED LEAD SERVICE LINE, A DIELECTRIC COUPLING SHALL BE PROVIDED TO TRANSITION FROM THE NEW MATERIALS TO THE LEAD PIPE. THE MODEL COUPLING USED IS SUBJECT TO APPROVAL FROM CWD. HARCO – PHILMAC UTC OR CWD-APPROVED EQUAL.

GENERAL SERVICE CONNECTIONS:

22. AS PART OF THE AS BUILT SUBMISSION IN NOTE 12, THE CONTRACTOR SHALL PROVIDE A TABLE SHOWING ALL EXISTING CONNECTIONS, IDENTIFIED BY CLEVELAND WATER CONNECTION NUMBER, SHOWING THE FOUND CONNECTION MATERIAL FOR BOTH THE CITYSIDE AND OWNERSIDE CONNECTION, AS WELL AS THE NEW CONNECTION MATERIAL FOR ALL CONNECTIONS REPLACED. THE TABLE SHALL ALSO NOTE ANY REVISED CONNECTION MEASUREMENTS AND SIZES. A SAMPLE TABLE WILL BE PROVIDED. THE SUBMISSION SHALL BE IN MICROSOFT EXCEL FORMAT. CLEVELAND WATER SHALL REQUIRE THE DELIVERY AND ACCEPTANCE OF THIS TABLE BEFORE THE PRESSURE TEST AND CHLORINATION / DISINFECTION OF THE MAIN WILL BE PERMITTED.

23. NEW WATER SERVICE CONNECTIONS LOCATIONS SHOWN ON THESE DRAWINGS ARE FOR REFERENCE ONLY AND ARE NOT PART OF THE WATER MAIN APPROVAL. THE SPECIFIC LOCATION FOR EACH CONNECTION WILL BE DETERMINED BY CLEVELAND WATER PRIOR TO THE TAPS BEING INSTALLED. ALL PERMITS FOR TAPS AND METERS FOR PARCELS ASSOCIATED WITH THE WATER MAINS INSTALLED ON THIS PROJECT ARE TO BE OBTAINED BY THE LAND OWNER OF SAID IMPROVEMENT PLANS. IT IS THE LAND OWNERS RESPONSIBILITY TO ARRANGE FOR OBTAINING PERMITS FOR ALL WATER SERVICE CONNECTIONS BEFORE ANY SERVICE CONNECTION WORK MAY PROCEED. ALL FEES CAN BE OBTAINED FROM THE CLEVELAND WATER PERMITS AND SALES SECTION AT 216-664-3130 PROMPT #7 OR 216-664-2444 X75209.

ACCOUNTS SHALL BE INITIATED IN THE LAND OWNER'S NAME AS PART OF THE PERMITTING PROCESS. ALL RESPONSIBILITIES ASSOCIATED WITH EACH WATER SERVICE, INCLUDING, THE OWNER SIDE INSPECTIONS, METER SET/METER PIPING INSPECTION AND THE METER INSTALLATION SHALL BE THE RESPONSIBILITY OF SAID OWNER.

METERS INSTALLATIONS WILL NOT BE AUTHORIZED TO BE INSTALLED UNTIL ALL INSPECTIONS HAVE BEEN COMPLETED. ESTIMATED BILLS MAY ENSUE IF A HOME IS IDENTIFIED AS HAVING WATER SERVICE BUT NO METER HAS BEEN INSTALLED. IF NEW OWNERS, ONCE PARCELS ARE SOLD OFF AND TRANSFER TITLE, DO NOT CONTACT CLEVELAND WATER TO ESTABLISH ACCOUNTS IN THEIR NAME, ACCOUNTS AND THEIR ASSOCIATED BILLS WILL REMAIN IN THE NAME OF OUR LAST OWNER OF RECORD WHICH MAY BE THE DEVELOPER OR BUILDER. IT IS THE RESPONSIBILITY OF THE NEW OWNER TO TRANSFER ACCOUNTS INTO THEIR NAME WHEN THE PROPERTIES LEGALLY TRANSFER. UPON TRANSFER OF PROPERTY, SELLER OF PROPERTY MUST COMMUNICATE ALL UNCOMPLETED PORTIONS OF THE REFERENCED RESPONSIBILITIES TO THE NEW OWNER.

24. ONE INCH SERVICE CONNECTIONS SHALL BE PERMITTED TO SERVICE NEW HOMES (AS SHOWN ON APPROVED WATER MAIN EXTENSION PLANS) BASED ON THE FOLLOWING CRITERIA:

- PEAK FLOW DEMANDS DO NOT EXCEED 25 GPM FOR AN INDIVIDUAL HOME/UNIT.

INCLUSIVE OF ALL USAGE (DOMESTIC AND/OR IRRIGATION),

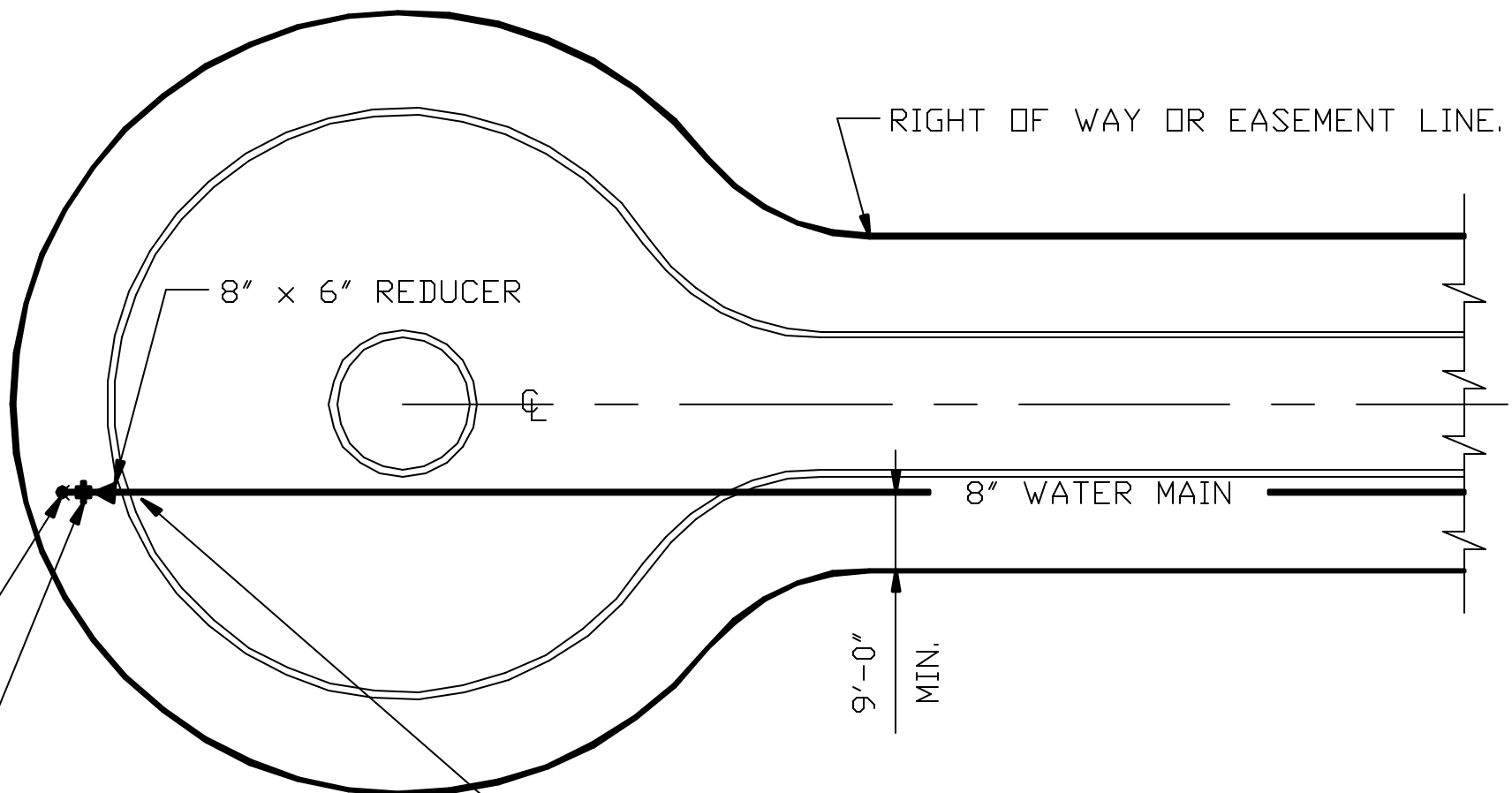
- LENGTH OF ONE INCH CONNECTION DOES NOT EXCEED 75 FEET AS MEASURED FROM THE MAIN TO THE POINT OF ENTRY INTO THE PROPOSED HOME/UNIT.
- THE CONNECTIONS DO NOT INCLUDE LIMITED AREA OR NFPA 13D SPRINKLER SYSTEMS

ANY SERVICE REQUESTS DIFFERING FROM THE STATED CRITERIA SHALL REQUIRE THE SUBMITTAL OF A COMPLETE WATER SERVICE APPLICATION FOR EACH WATER SERVICE REQUESTED.

25. ALL CURB VALVE BOXES & METER VAULTS WILL BE INSTALLED IN GRASS AREAS WHEN POSSIBLE. CURB VALVES SHALL BE PLACED APPROXIMATELY 2 FEET OFF THE CURB. CURB VALVES IN EASEMENTS SHALL BE PLACED APPROXIMATELY 3 FEET OFF THE WATER MAIN. IF VALVE BOXES OR METER VAULTS ARE INSTALLED OUTSIDE OF A DEDICATED RIGHT OF WAY OR EASEMENT FOR THE PURPOSES OF WATER SUPPLY, A STANDARD CLEVELAND EASEMENT FOR A VAULT SHALL BE PROVIDED.

EMERGENCIES:

26. IF A WATER MAIN OR SERVICE CONNECTION BREAK OCCURS DURING CONSTRUCTION AND EMERGENCY ASSISTANCE IS REQUIRED, PLEASE NOTIFY CLEVELAND WATER AT 216-664-3060. THIS LINE IS AVAILABLE 24/7/365



6" HYDRANT ASSEMBLY.
SEE TYPICAL NEW HYDRANT
INSTALLATION DETAIL **"C"**

6" LINE VALVE AND BOX

ON 8" MAIN USE TWO FULL LENGTHS OF BOLTLESS
RESTRAINED PUSH-ON JOINT PIPE, WITH TYPE II
JOINTS, FOR THE LAST TWO JOINTS.
ON 12" MAIN USE THREE FULL LENGTHS OF BOLTLESS
RESTRAINED PUSH-ON JOINT PIPE, TYPE II JOINTS,
ON THE LAST THREE JOINTS.

STRAIGHT CUL-DE-SAC SCHEMATIC

NOT TO SCALE

NOTE: THRUST BLOCKS REQUIRED BEHIND
ALL TEE AND BENDS.

ALL PUSH ON JOINTS BETWEEN BENDS TO BE BOLTLESS RESTRAINED TYPE II.

4" BEND TYPICAL. SOME INSTANCES MIGHT REQUIRE THE USE OF 45°, 22½°, 11¼° BENDS OR COMBINATIONS.

RIGHT OF WAY OR EASEMENT LINE.

3'-0" MIN. TYPICAL

4" LINE VALVE AND BOX

8" WATER MAIN

8" BEND AS REQUIRED

8" x 4" TEE

8" LINE VALVE AND BOX

6" HYDRANT ASSEMBLY. SEE TYPICAL NEW HYDRANT INSTALLATION DETAILS 'A' OR 'B'

8" x 4" REDUCER

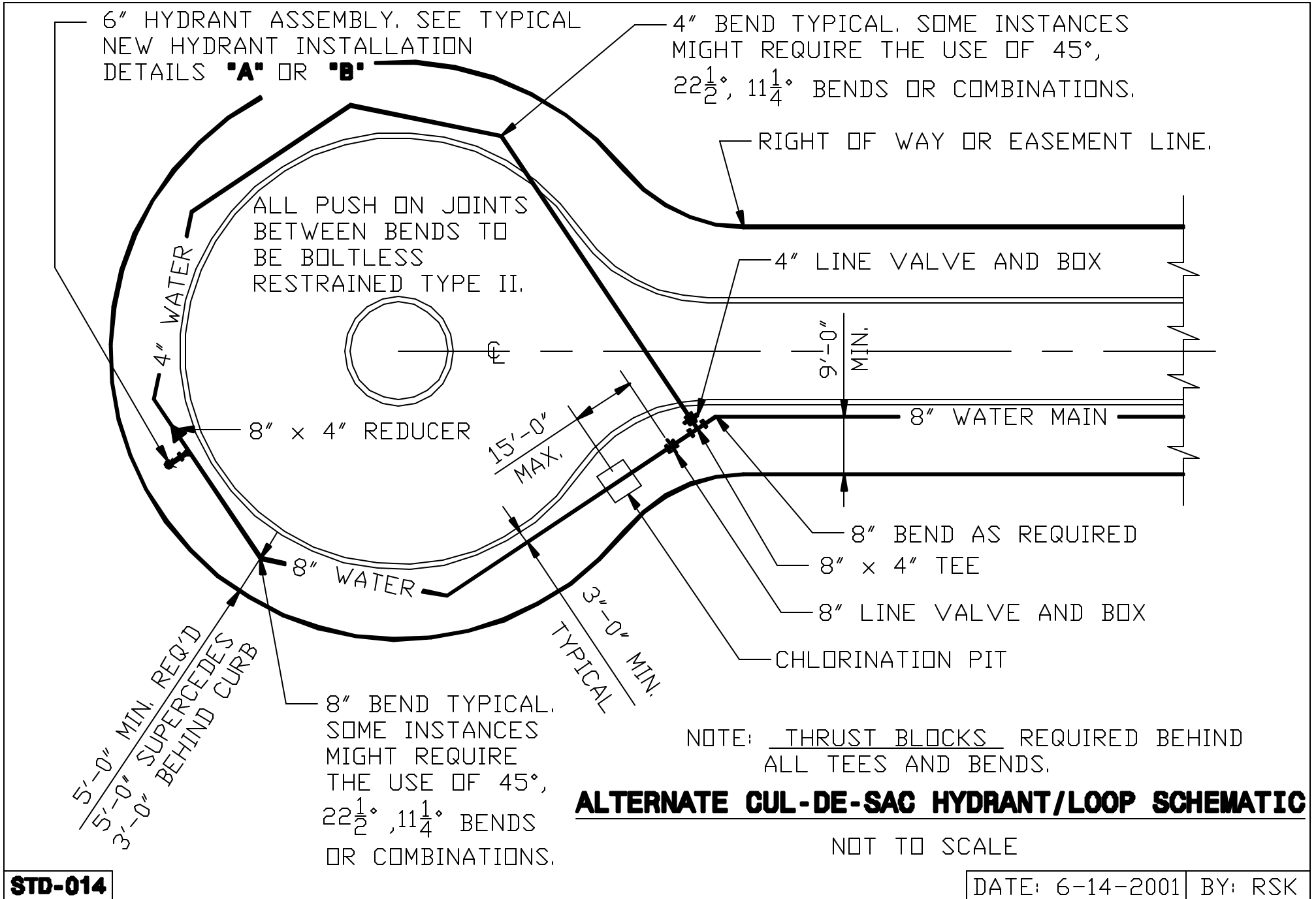
NOTE: LINE VALVE AND HYDRANT TO BE AS CLOSE TO TEE AS POSSIBLE. HYDRANT TEE TO BE WITHIN 18'-0" OF 8" x 4" TEE. IF 18'-0" LENGTH IS EXCEEDED, USE ALTERNATE CUL-DE-SAC SCHEMATIC.

NOTE: THRUST BLOCKS REQUIRED BEHIND ALL TEES AND BENDS.

STANDARD CUL-DE-SAC HYDRANT/LOOP SCHEMATIC

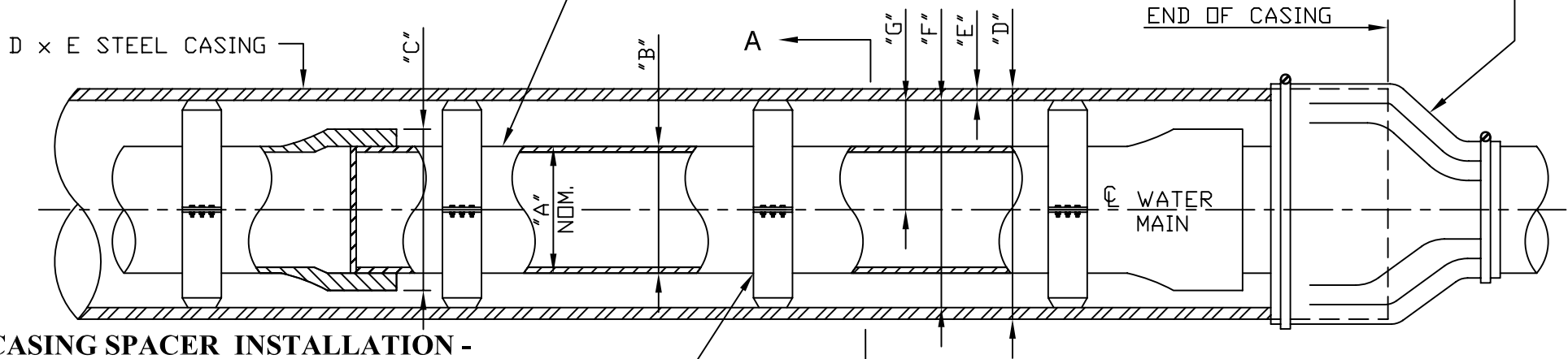
NOT TO SCALE

5'-0" MIN. REQ'D
5'-0" SUPERCEDES
3'-0" BEHIND CURB



DUCTILE IRON CLASS 52 CEMENT LINED
BOLTLESS RESTRAINED PUSH-ON JOINT PIPE
(TYPE I NEW CONSTRUCTION)
(TYPE II EXISTING CONSTRUCTION).

WRAP AROUND RUBBER END SEALS ARE TO BE USED FOR SINGLE
CARRIER PIPES, OR MOLDED END SEALS FOR CLUSTER CARRIER
PIPES. ALL FASTENERS ARE TO BE STAINLESS STEEL. BRICK
BULKHEADS ARE NOT ALLOWED.

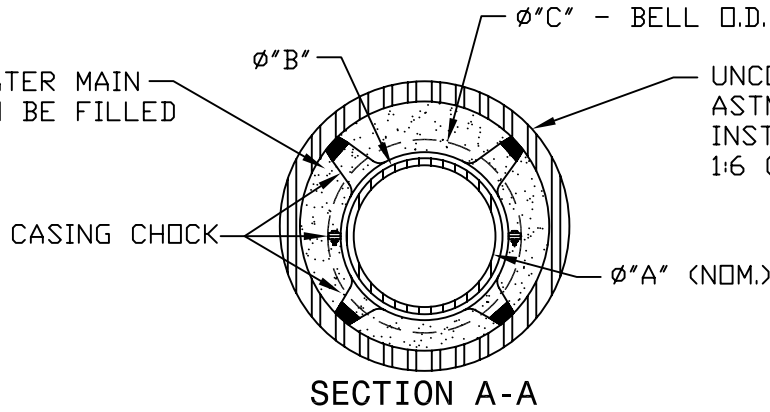


- CASING SPACER INSTALLATION -

THREE CASING SPACER PER 18FT. OR 20FT. PIPE JOINTS ARE
TO BE USED FOR MAXIMUM CARRIER PIPE SUPPORT; ONE BEHIND
THE BELL, ONE AT THE SPIGOT END MAKE-UP LINE, AND ONE
CENTERED BETWEEN THE AFOREMENTIONED TWO SPACERS.
CASING SPACERS SHOULD CENTER & RESTRAIN THE CARRIER PIPE.
WOODEN SKIDS ARE NOT ALLOWED.

A	B	C*	D	E	F	G
8"	9.05"	11.89"	16"	$\frac{3}{8}$ "	15 $\frac{1}{4}$ "	8.00"
12"	13.20"	16.35"	20"	$\frac{3}{8}$ "	19 $\frac{1}{4}$ "	10.00"
16"	17.40"	20.84"	24"	$\frac{1}{2}$ "	23"	12.00"

SPACE BETWEEN WATER MAIN
AND STEEL PIPE TO BE FILLED
WITH SAND.



UNCOATED - UNPROTECTED STEEL CASING
ASTM A-53-89a (AWWA SPEC. C-200-91)
INSTALLED BY JACKING OR BORING METHOD.
1:6 GROUT IF ORDERED AROUND CASING.

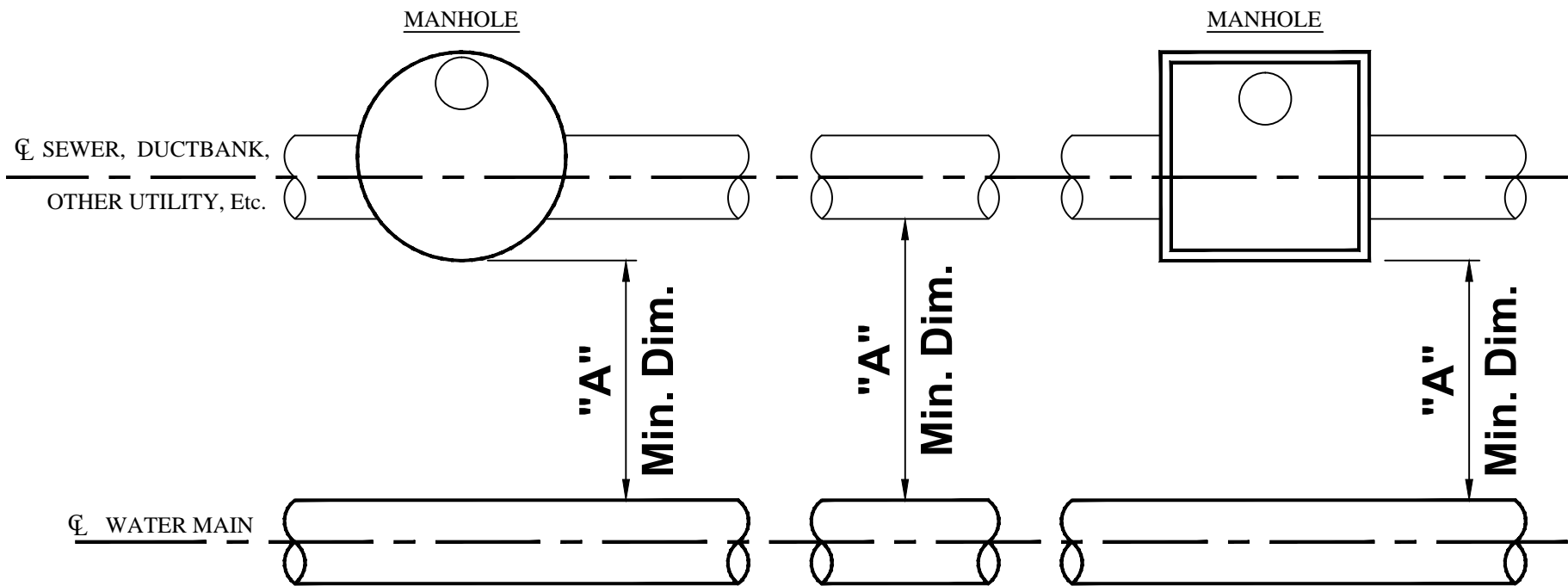
- CASING SPACER DETAIL -

CASING SPACERS ARE TO BE STAINLESS STEEL, OR POLYMER
COATED CARBON STEEL. STAINLESS STEEL IS NOT ALLOWED IF
GROUTING IS REQUIRED. SPACER BAND WIDTHS ARE TO BE 8"
CARRIER PIPES THROUGH 24" AND 21" FOR 26" AND LARGER.
RUNNERS ARE TO BE GLASS-FILLED POLYMER PLASTIC AND
LINER IS TO BE EPDM OR PVC.

NOTES:

1. CONTRACTOR'S FAILURE TO MAINTAIN THE CASING PIPE ON THE LINE AND GRADE AS SHOWN OR DIRECTED,
RESULTING IN THE USE OF ADDITIONAL PIPE AND/OR FITTINGS TO MAKE CONNECTIONS TO EXISTING WATER MAIN
WILL BE CAUSE FOR REJECTION OF CASING INSTALLATION.

*2. OUTSIDE DIAMETER OF BELL OF BOLTLESS RESTRAINED PIPE MAY VARY WITH MANUFACTURE,
THEREFORE, CONTRACTOR SHALL VERIFY O.D. OF BELL AND INCREASE SIZE OF STEEL CASING AS REQUIRED.



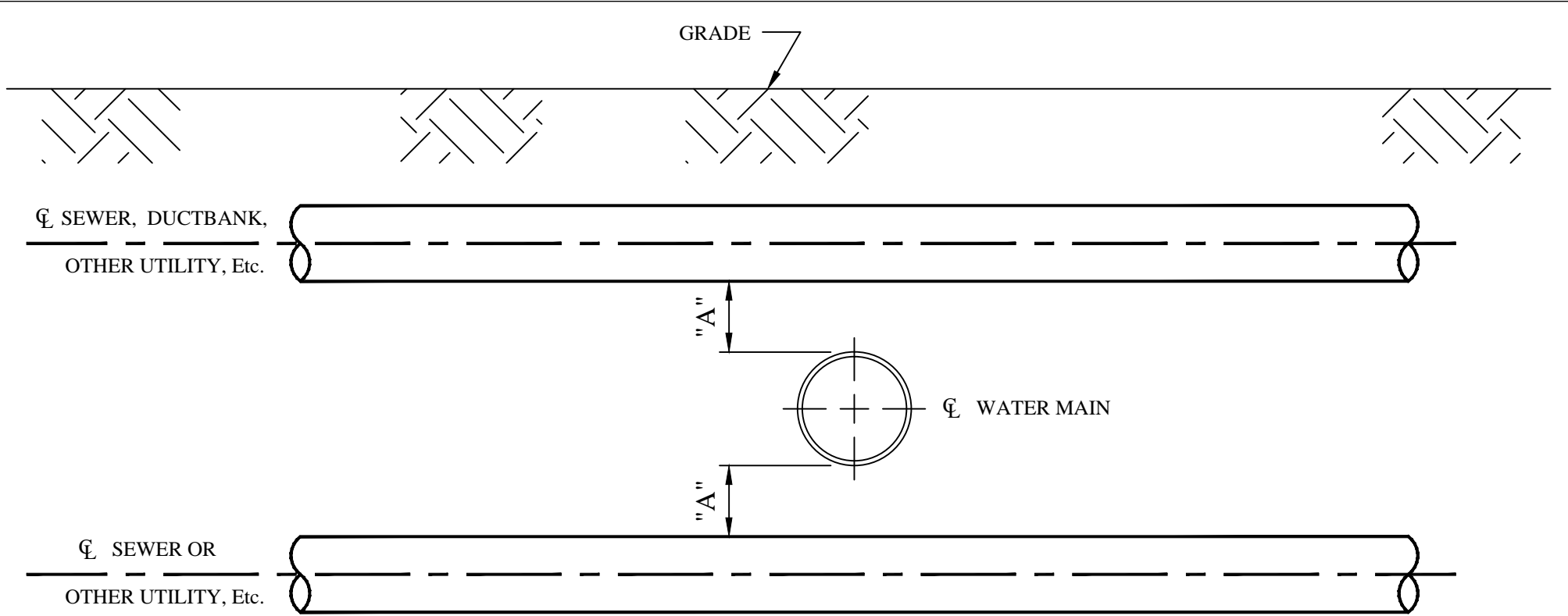
PLAN VIEW

- SEE STD-018 FOR PROFILE VIEW -

HORIZONTAL CLEARANCE	STORM SEWER	SANITARY SEWER	GAS, DUCTBANK, OTHER UTILITY, Etc.
"A"	10'-0" MIN.	10'-0" MIN.	5'-0" MIN.

HORIZONTAL CLEARANCE FOR UTILITIES

NOT TO SCALE



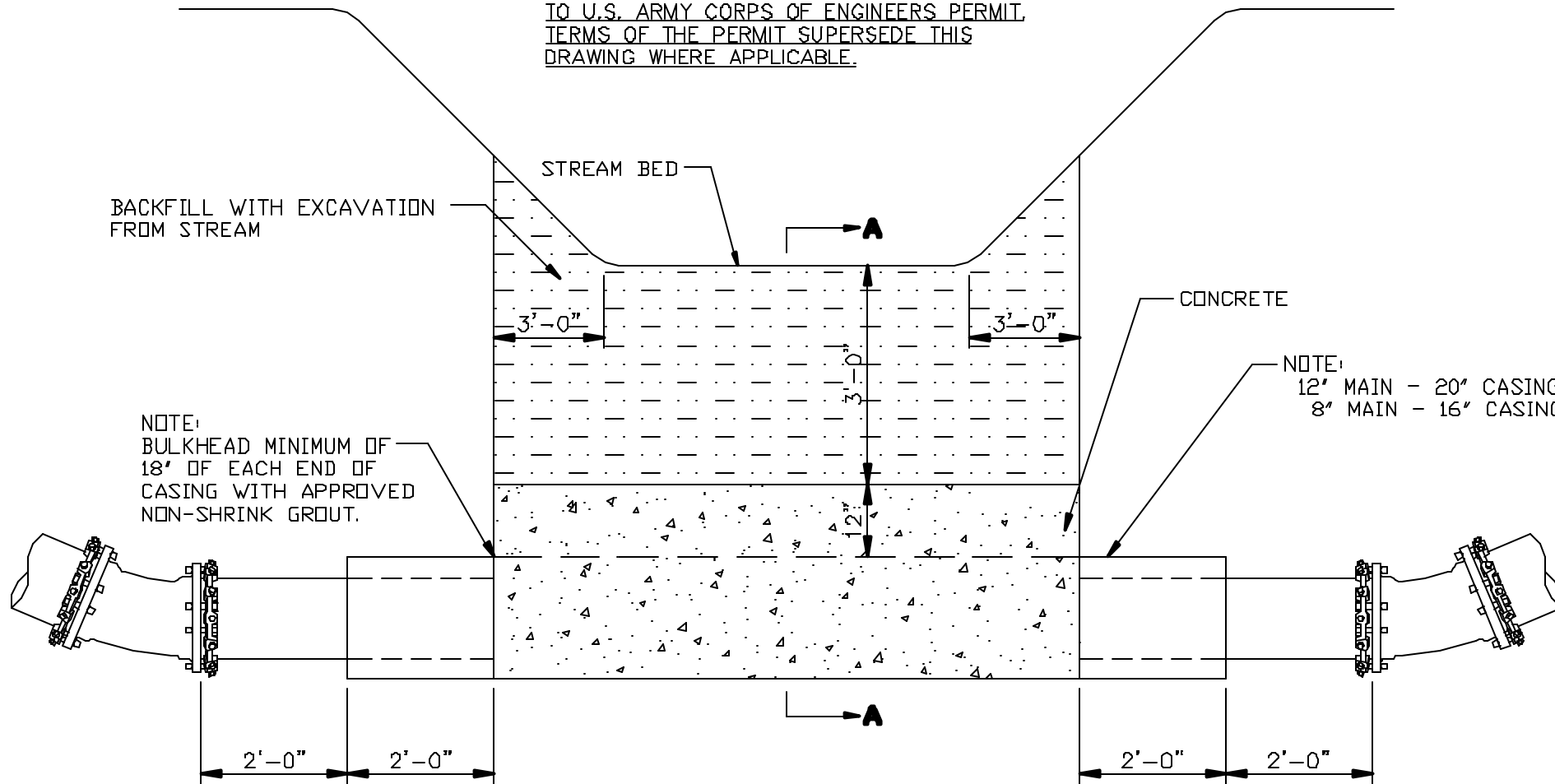
PROFILE VIEW
 - SEE STD-017 FOR PLAN VIEW -

VERTICAL CLEARANCE	SANITARY SEWER LESS THAN 24"	SANITARY SEWER 24" & LARGER	STORM SEWER, DUCTBANK, GAS, OTHER UTILITY LESS THAN 24"	STORM SEWER, DUCTBANK, GAS, OTHER UTILITY 24" & LARGER	REMARKS
"A"	18" Min.	18" Min.	18" Min.	18" Min.	IF CANNOT ACHIEVE MIN. CLEARANCE WATER MAIN TO BE LOWERED

VERTICAL CLEARANCE FOR UTILITIES

NOT TO SCALE

NOTE: CONTRACTOR TO OBTAIN & ADHERE TO U.S. ARMY CORPS OF ENGINEERS PERMIT. TERMS OF THE PERMIT SUPERSEDE THIS DRAWING WHERE APPLICABLE.



CROSSING LARGE DITCHES OR SMALL STREAMS PROFILE - OPEN CUT METHOD

- NOT TO SCALE -

NOTE: BULKHEAD MINIMUM OF 18" OF EACH END OF CASING WITH APPROVED NON-SHRINK GROUT.

STREAM BED

VARIES

VARIES

BACKFILL WITH EXCAVATION FROM STREAM

3'-0"

NOTE: CONTRACTOR TO OBTAIN & ADHERE TO U.S. ARMY CORPS OF ENGINEERS PERMIT. TERMS OF THE PERMIT SUPERSEDE THIS DRAWING WHERE APPLICABLE.

NOTE: 12" MAIN - 20" CASING
8" MAIN - 16" CASING

CONCRETE

PRESSURE TREATED WOOD BLOCKING BANDED TO DUCTILE IRON PIPE. SEE CASING DETAIL FOR MORE DETAIL.

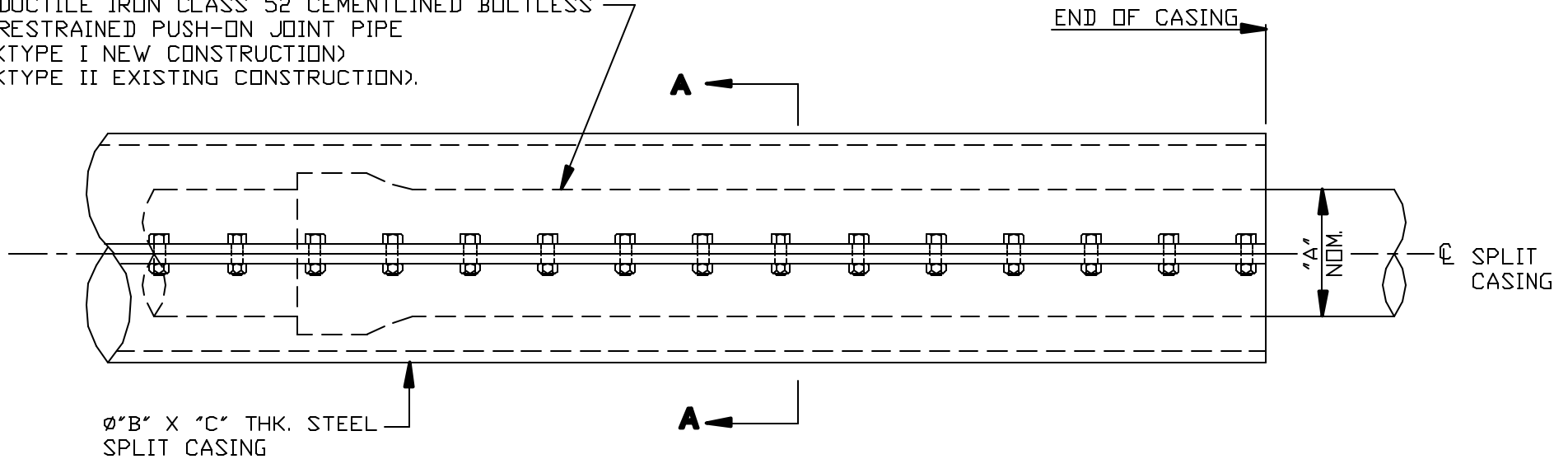
12"

12"

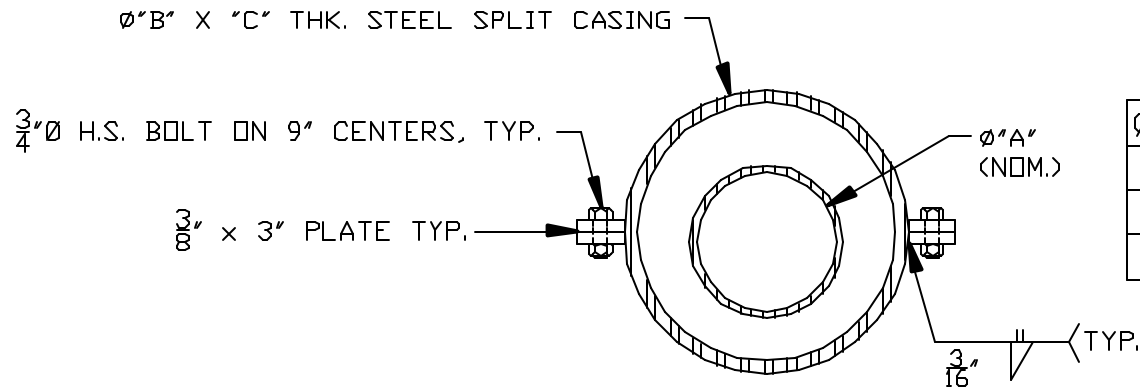
CROSSING LARGE DITCHES OR SMALL STREAMS SECTION A-A - OPEN CUT METHOD

- NOT TO SCALE -

DUCTILE IRON CLASS 52 CEMENTLINED BOLTLESS
RESTRAINED PUSH-ON JOINT PIPE
(TYPE I NEW CONSTRUCTION)
(TYPE II EXISTING CONSTRUCTION).



SEE STD-015 & STD-016 FOR DETAILED CASING INFORMATION.

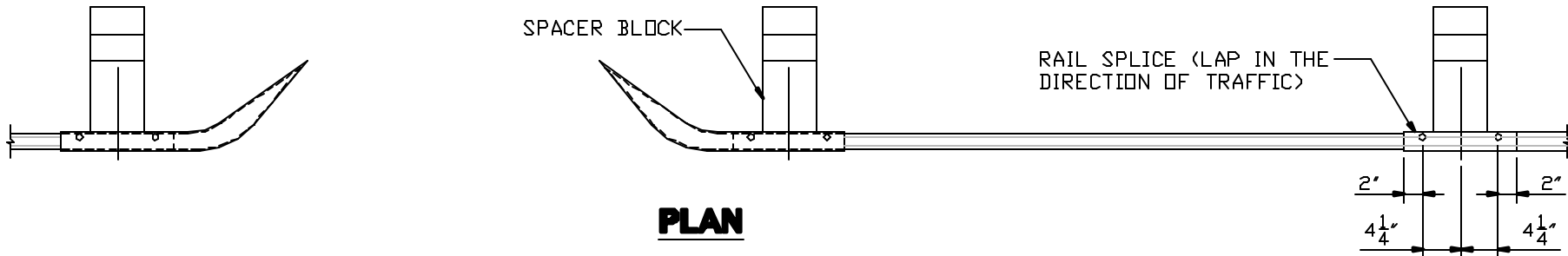


Ø" A "	Ø" B "	" C " THK.
8"	16"	3/8"
12"	20"	3/8"
16"	24"	1/2"

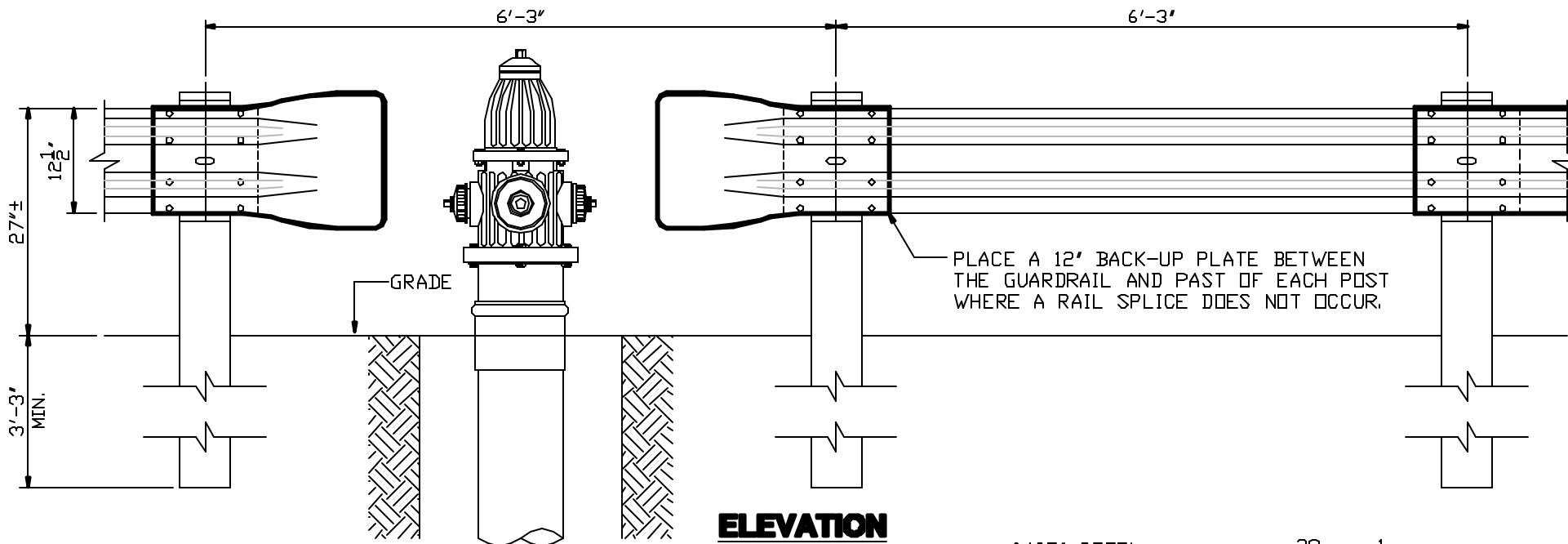
SECTION A-A

SPLIT CASING DETAIL

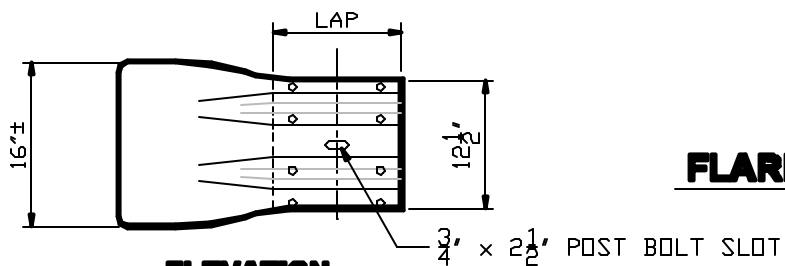
- NOT TO SCALE -



PLAN

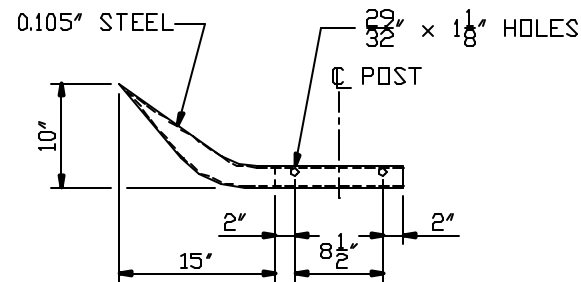


ELEVATION



ELEVATION

FLARED END SECTIONS



PLAN

