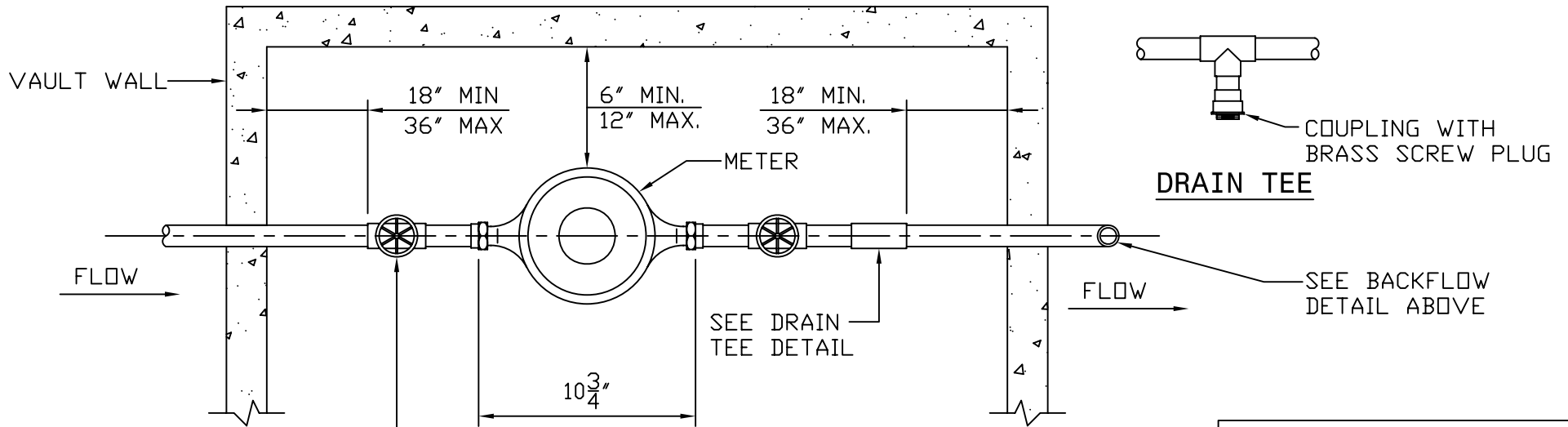


BACKFLOW & IRRIGATION DETAIL



HAND WHEEL GATE VALVE
MUST BE SIZE OF INCOMING
SERVICE. VALVE IS FEMALE
NPT THREAD.

PLAN

* FOR TYPE AND MODEL OF BACKFLOW DEVICE REQUIRED CONTACT THE BACKFLOW UNIT AT (216) 664-3944.
 ** DRAIN VALVE OR CONTROL VALVE, IF REQUIRED, BY CUSTOMER TO BE PLACED DOWNSTREAM OF BACKFLOW PREVENTOR.

STANDARD DETAILS
 DEPARTMENT OF PUBLIC UTILITIES
 DIVISION OF WATER
 CLEVELAND, OHIO

SUBJECT APPROVED 1" METER SETTING FOR
 1" METER & BACKFLOW ASSEMBLY FOR VAULTS
 * "LAWN IRRIGATION ONLY"

DRAWN BY RSK -SCALE-
 DATE 1-4-2010 NONE
 CHECKED BY ___ DATE ___

STD-M24