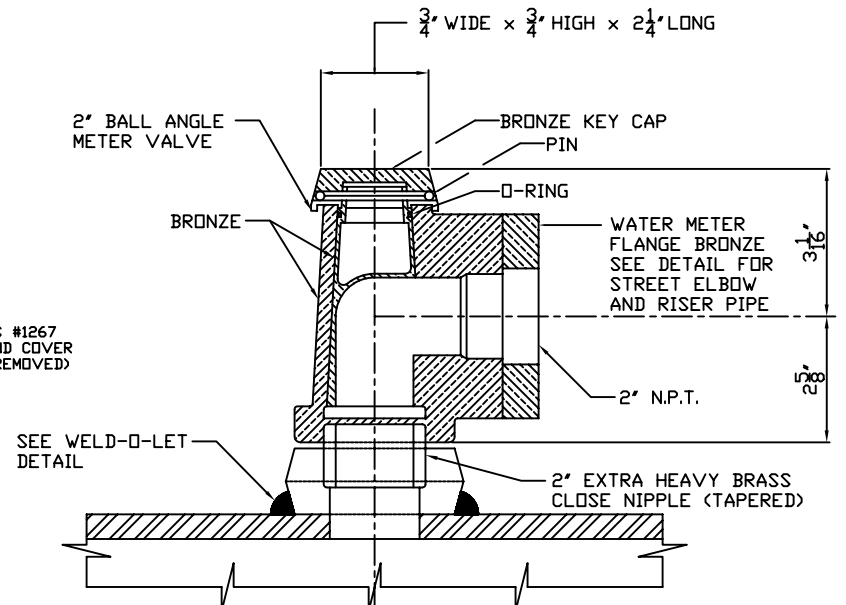
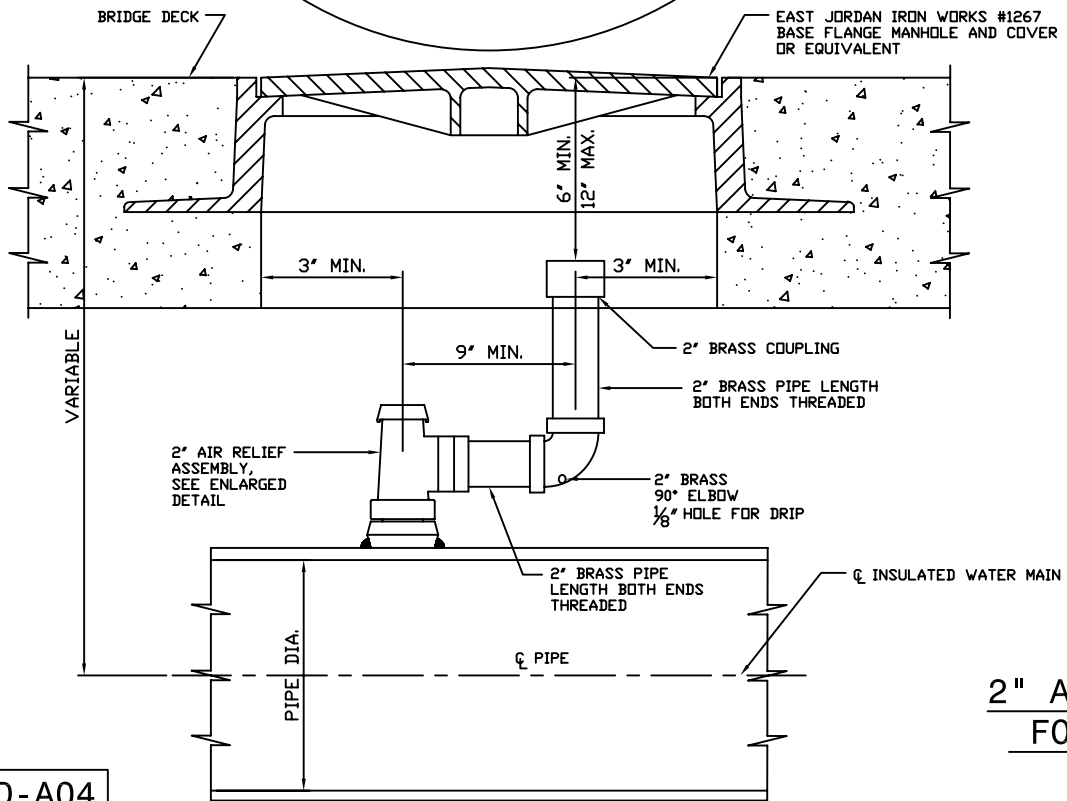


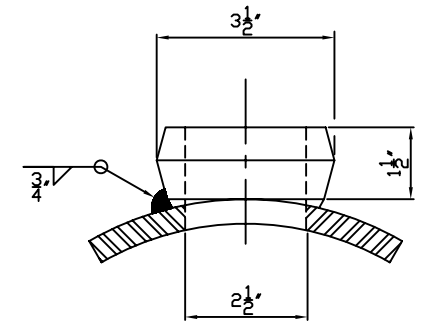
EAST JORDAN IRON WORKS #1267  
BASE FLANGE MANHOLE AND COVER  
OR EQUIVALENT (COVER REMOVED)

PLATFORM OR NETTING/MESH  
USED TO STOP DROPPED  
OBJECTS OR TOOLS.  
(PLACED BELOW WATERMAIN).



**AIR RELIEF VALVE ASSEMBLY**

AIR RELIEF ASSEMBLY IS TO BE LOCATED AT  
THE HIGH POINT OF WATER MAIN ON BRIDGE.



**WELD-O-LET DETAIL**

**2" AIR RELIEF/FLUSHING OUTLET VALVE  
FOR STEEL WATER MAINS ON BRIDGES**