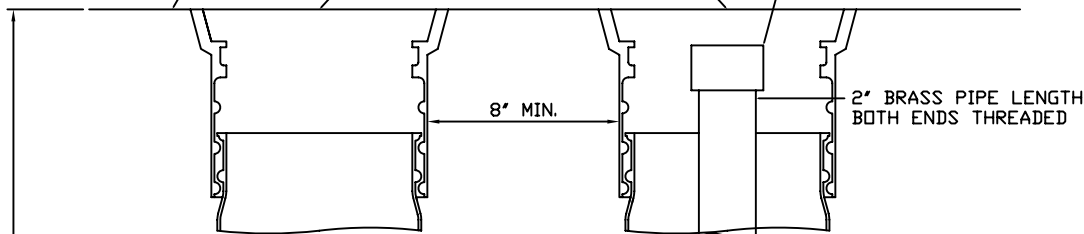


GRADE OR TOP OF PAVEMENT

VALVE BOXES CUT TOP TO SUIT

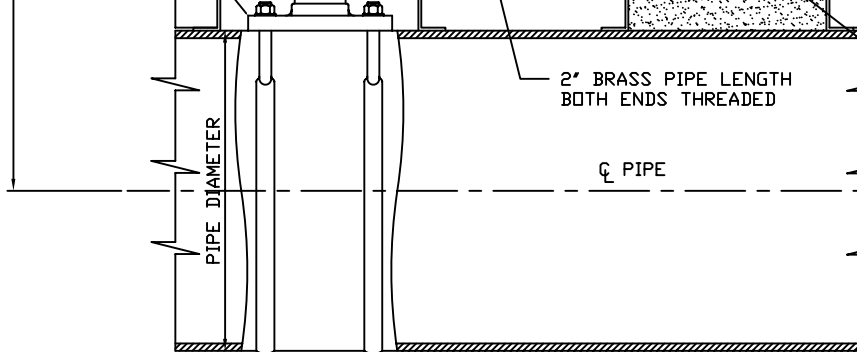
2" BRASS COUPLING



VARIABLE

2" AIR RELIEF ASSEMBLY, SEE ENLARGED DETAIL

2" TAPPING SADDLE FOR DUCTILE IRON



2" BRASS 90° ELBOW 1/8" HOLE FOR DRIP

PLACE BRICK OR MORTAR AROUND AIR RELIEF ASSEMBLY TO SUPPORT VALVE BOX AND TO STABILIZE THE GRAVEL

1 CU. FT. GRAVEL (No. 57)

PIPE DIAMETER

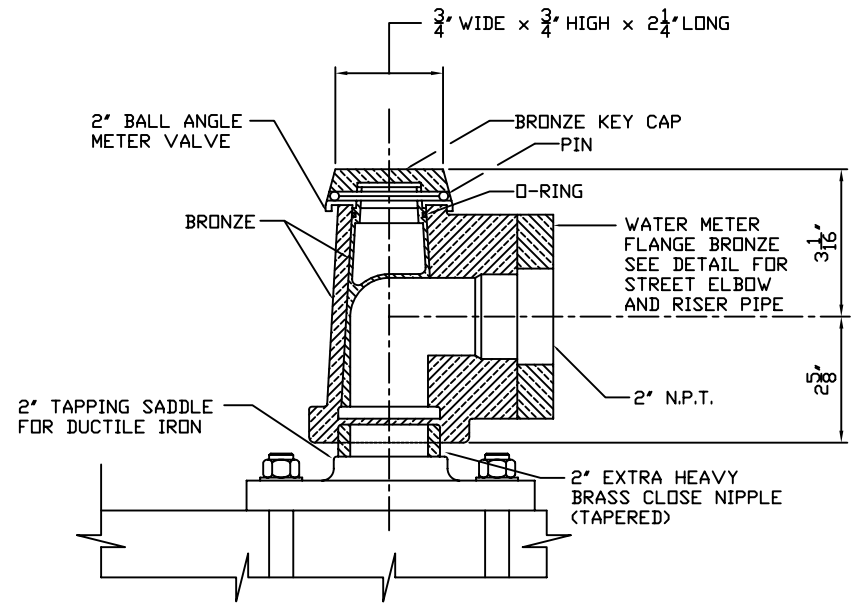
PIPE

8" MIN.

2" BRASS PIPE LENGTH BOTH ENDS THREADED

2" BRASS PIPE LENGTH BOTH ENDS THREADED

DOUBLE VALVE BOX ASSEMBLY



AIR RELIEF VALVE ASSEMBLY

2" AIR RELIEF/FLUSHING OUTLET VALVE FOR DUCTILE IRON WATER MAINS