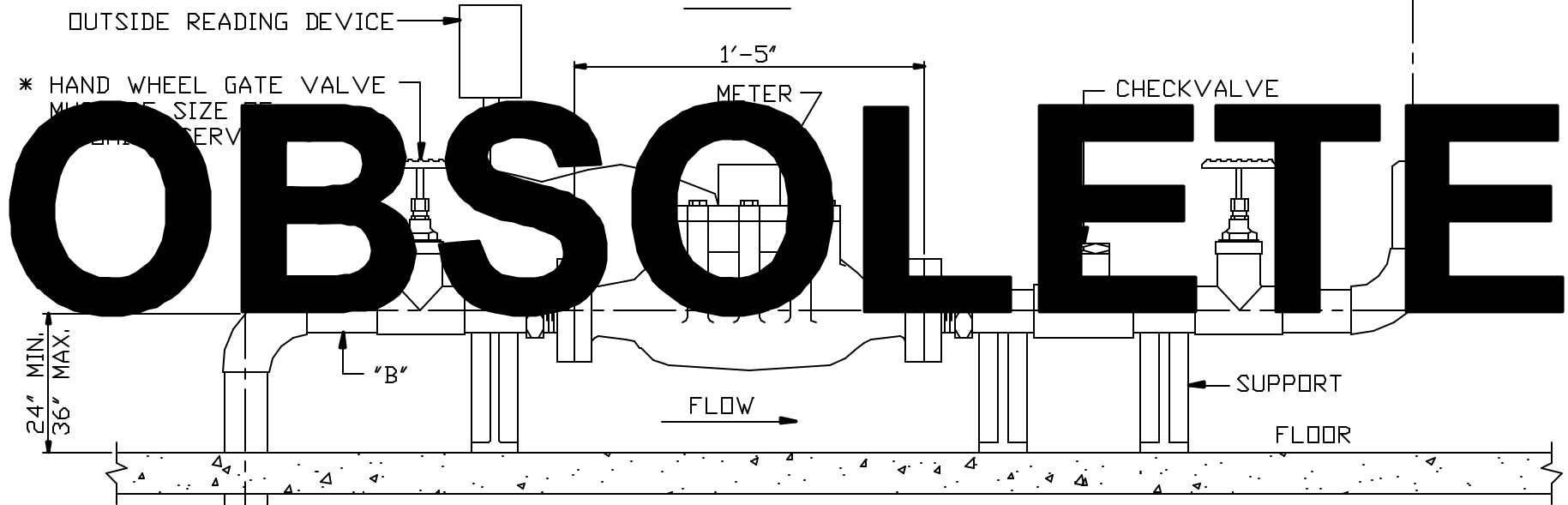


PLAN



ELEVATION

NOTE: IF METER SIZE IS REDUCED FROM THE INCOMING LINE SIZE, THE APPROPRIATE REDUCTION SHOULD TAKE PLACE AT POINT "B".

* BALL VALVES MAY BE USED IN PLACE OF HAND WHEEL GATE VALVES.

STANDARD DETAILS		
DEPARTMENT OF PUBLIC UTILITIES DIVISION OF WATER CLEVELAND, OHIO		
SUBJECT APPROVED INSIDE BUILDING METER		
SETTING FOR 2" METER & CHECKVALVE		
DRAWN BY RSK	-SCALE-	STD-M21
DATE 11-26-1997	NONE	
CHECKED BY MJS DATE 11-26-97		