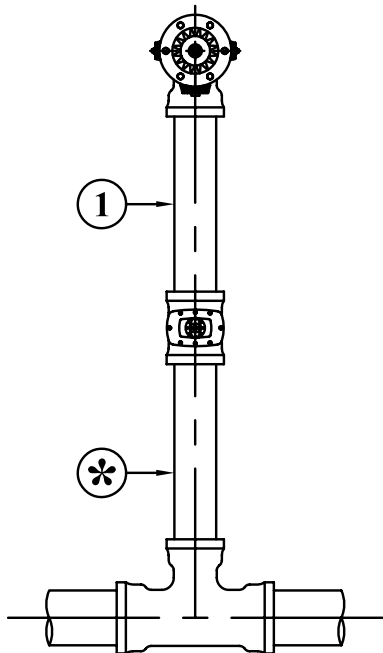


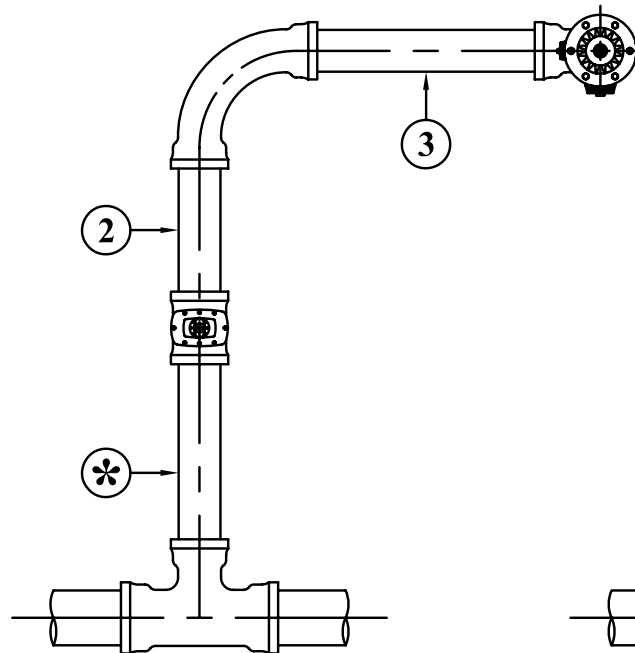
\* IF CUTS ARE REQUIRED BETWEEN THE TEE AND VALVE,  
TOTAL REPLACEMENT WILL BE REQUIRED.  
SEE DETAILS STD-H06 STD-H07.

\* \* IF EXISTING HYDRANT BRANCH VALVE IS 4" IN DIAMETER  
TOTAL REPLACEMENT WILL BE REQUIRED UNLESS SPECIFIC  
PERMISSION IS GRANTED BY THE DIVISION OF WATER ON A  
CASE BY CASE BASIS.

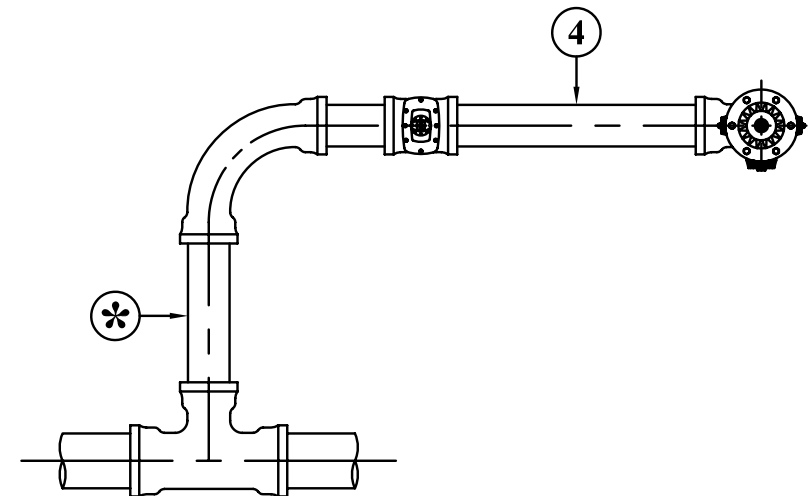
CUT AT	SEE DETAIL
①	STD-H02 FOR STRAIGHT TYPE
②	STD-H03 FOR OFFSET TYPE 1
③	STD-H04 FOR OFFSET TYPE 2
④	STD-H05 FOR OFFSET TYPE 3
TOTAL REPLACEMENT	STD-H06 FOR STRAIGHT TYPE STD-H07 FOR OFFSET TYPE 1 & TYPE 2 & TYPE 3



STRAIGHT TYPE



OFFSET TYPE 1 & 2



OFFSET TYPE 3

**DISTURBING EXISTING LEADED HYDRANTS AND LEADED FITTINGS**

- NOT TO SCALE -